



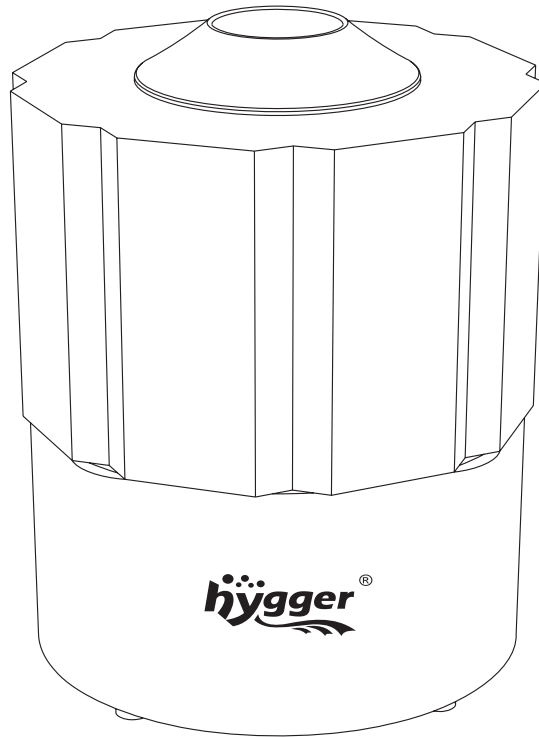
E-mail: distributor@hyggeraquarium.com

Website: www.hyggeraquarium.com



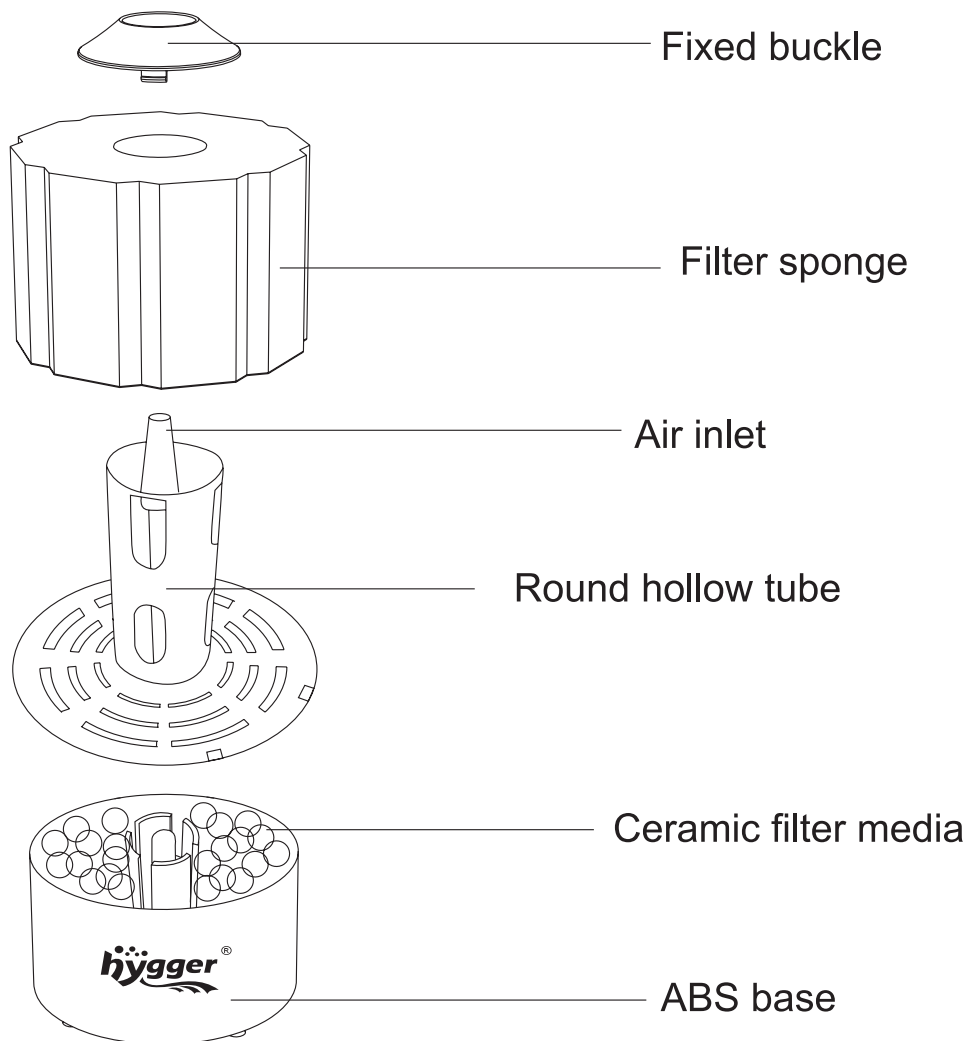
HG120 USER MANUAL

hýgger Cylindrical Aquarium Sponge



ATTENTION: There are two bio sponges in the filter, please take out one of them and use it as a replacement cotton. Only one sponge is left on the filter. Due to the long transportation time, the sponge may be deformed, please put the sponge in the water for 10-30 minutes to restore the original shape.

1. PRODUCT DIAGRAM



2. PRODUCT FEATURES

More efficient and durable: Super biochemical sponge design and made of premium materials. Sponges means more surface area for beneficial bacteria filtering and making the aquarium water crystal clear. It also can remove the peculiar smell.

Mechanical and biological filtration: Container with ceramic beads and biochemical sponge. Both are easily replaceable.

Increase dissolved oxygen and cultivate beneficial bacteria: Ceramic beads filtration media will remove harmful substance and increase dissolved oxygen.

Properly increase oxygen levels: Air stones can produce fine bubbles for oxygen replacement to add oxygen and circulate nutrition to your hydroponic growing system. It creates a circle of bubbles that helps keep healthy fish and adds to the beauty of the aquarium.

Easy to set up and clean: It is easy to install this sponge filter and easy to clean all parts of sponge and ceramic pearls. You can also replace the ceramic pearls with other bio filter media.

Suitable for shrimp, betta, tropical fish, planted tanks or others

3. PRODUCT SPECIFICATIONS

Model	HG120-S	HG120-M	HG120-L
Product size	Φ2.9*4.4in/ Φ7.3*11.2cm	Φ2.9*6.5in/ Φ7.3*16.5cm	Φ3.94*7in/ Φ10*17.7cm
Applicable aquarium depth	below 15.8in/40cm	below 19.7in/50cm	below 26.4in/67cm
Material	ABS+PVC+filter cotton+bio ceramic media		

4. PACKAGE INCLUDED

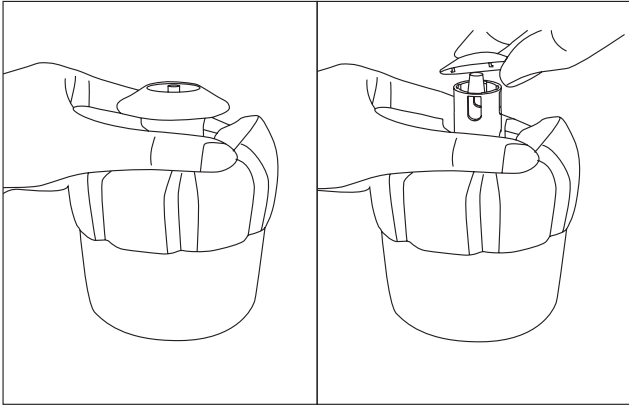
1*Filter with media container

1*Spare sponge

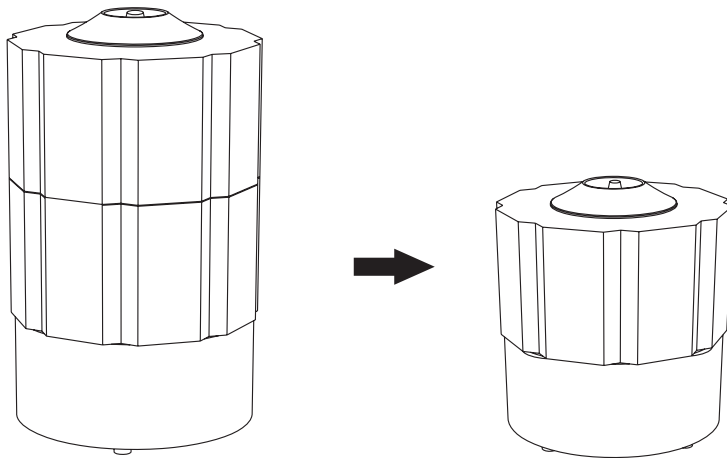
1* User manual

5. METHOD OF APPLICATION

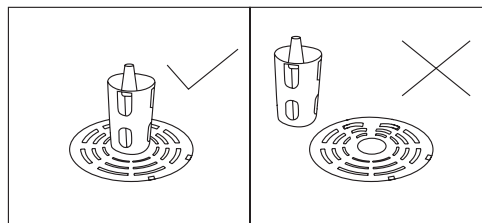
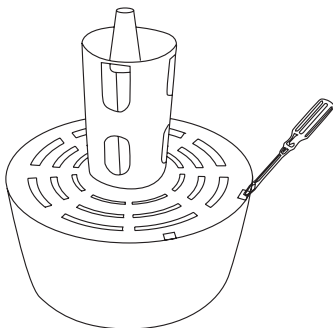
Step1.Press the sponge down with your fingers and then lift the cover.



Step2.Two bio sponges are pre-installed in the filter.To use,please remove one.

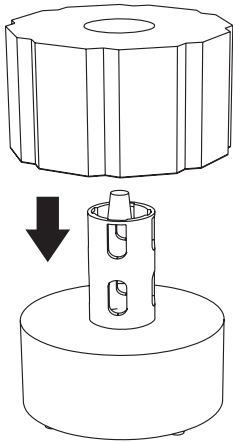


Step3.Remove the sponge.Note:The round hollow tube and bulkheads are one piece;do not separate them to avoid damage.

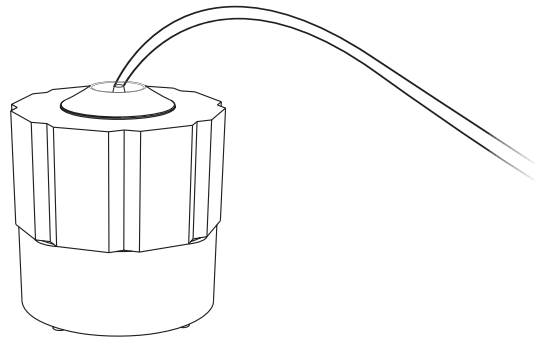
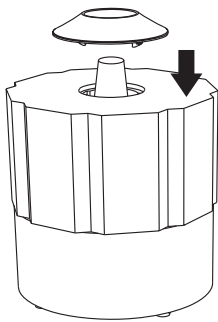


Please do not pull out the round hollow tube

Step4.Cover the bulkhead,and install the sponge.



Step5.Put on the top cover,connect the oxygen pipe to the intake pipe in the middle and the filter is ready to use.



6. WARNING

- a. Don't use tap water or hot water to clean the biochemical sponge filter.
- b. Make sure cleaning the filter with tank water.
- c. Make sure the sponge filter is onvertically, otherwise the pipe will be blocked by the ceramic pearls.
- d. Clean the filter with tank water every 2 ~4 weeks
- e. We recommend replacing the sponge and ceramic pearls every 5~6 months.

7. HYGGER LIMITED MANUFACTURER'S WARRANTY

We offer the end user of this product a manufacturer warranty of 3 (2) years from the date of sale if this product was purchased from a hygger® -authorized specialist dealer

Retain receipt for any future warranty claim. Conditions apply. Products are guaranteed by hygger® Aquatic Supplies to the original purchaser against defective material and workmanship under normal use for a period up to 3 (2) years from the date of the original purchase through an Authorized Dealer. Refer to the User Manual included with your product for specific warranty details.

Products have no warranty if:

- 1.) The product has been serviced, modified or tampered with by anyone other than hygger® Aquatic Supplies.
- 2.) The product has been abused or damaged (including broken or cracked bulbs), and/ or.
- 3.) The product has been transported without proper packaging.
- 4.) The product was purchased from an Unauthorized Reseller.

WARRANTY LIABILITY DISCLAIMER

In no event will hygger® be liable for any consequential or incidental damages, including but not limited to, lost aquatic life, personal injury, property damage, equipment damage, lost profits, lost wages, lost savings, lost income, etc., arising out of the use of any hygger® products.

1.0. Terms and Conditions of Warranty.

- 1.1. hygger[®] warrants to the purchaser, for 3 (2) years from date of original purchase through an Authorized hygger[®] Reseller, free to repair or replace parts where fault is found due to defective materials or faulty workmanship and where goods do not operate in accordance with the instructions.
- 1.2. All claims for repair or replacement must be made at place of purchase.
- 1.3. Only the direct purchaser is entitled to warranty claims against us and these are not transferable without our consent.
- 1.4. The original and dated Proof of Purchase (receipt) must be supplied with all goods claims. Please also provide this Guarantee where possible.
- 1.5. Wear parts (e.g.: seals, suction devices, axes, pump wheels, light sources, pH electrodes, filter media, such as filter cartridges, as well as UVC burners), glass damage and the opening of the product, as well as structural changes or the use of non-hygger[®] original parts are excluded from the guarantee.
- 1.6. All goods subject to claim under Guarantee should be prepared for transportation in the original packaging or other comparable packaging which offers the same degree of protection and hygger[®] must incur no costs from the shipment.
- 1.7. Where claims on inspection reveal goods are in normal working order, hygger[®] will request reimbursement[®] of all reasonable costs incurred.

1.8. Warranty claims do not exist in the case of only insignificant deviations from the agreed or customary condition or usability, e.g. insignificant deviations in colour, dimensions and/or quality or performance characteristics of the products.

1.9. Our warranty obligation extends only to the delivery of newly manufactured products. Unless otherwise agreed, used products are sold as seen, excluding any warranty.

For more warranty information, please see the hygger website.

8. CONTACT INFORMATION

Distributed by: Hygger Aquarium, Inc.
13941 Magnolia Ave, Chino, CA 91710

E-mail: distributor@hyggeraquarium.com

Website: www.hyggeraquarium.com

Trademarks of Shenzhen Mago Trading Co., Ltd
Bantian Group Business Center, Longgang,
Shenzhen City, China
All Rights Reserved

Made in China