



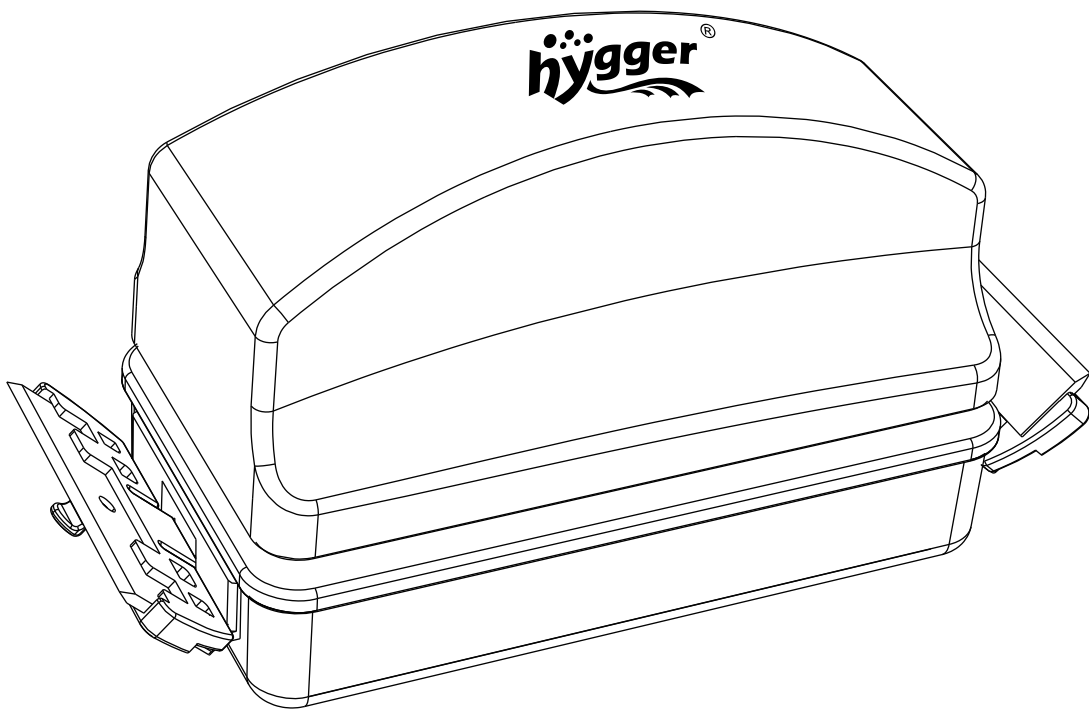
E-mail: distributor@hyggeraquarium.com

Website: www.hyggeraquarium.com



HG124 USER MANUAL

hygger dual blade magnetic glass cleaner



hygger Magnetic Aquarium Glass Cleaner can be used as a scrubber and scraper to clean the glass in freshwater and saltwater aquariums. Please read this user manual carefully before use and follow it strictly.

WARNING

Be careful not to pinch your fingers between the two parts of the glass cleaner.

1. PACKING LIST

1x Cleaning side with stiff bristles

1x Soft cleaning side

4x Plastic blade

1x User manual

2. PRODUCT FEATURES

Super Strong Magnetic Power: The Magnetic Aquarium Glass Cleaner contains a high-quality neodymium magnet with exceptionally high holding power, holding the glass cleaner securely and firmly to the aquarium.

Multifunctional Glass Cleaner: The glass cleaner can be used as a scrubber or scraper. The black surface with stiff bristles protects against scratches and is suitable for removing algae and stubborn dirt from the aquarium glass.

Dual Removable Blades: The glass cleaner is equipped with two blades. The blades are plastic and can handle crusty algae and other stubborn dirt. These blades are safe for tanks and users.

Minimalist Appearance: The strong magnet and ergonomic handle design allow easy and comfortable cleaning with the glass cleaner.

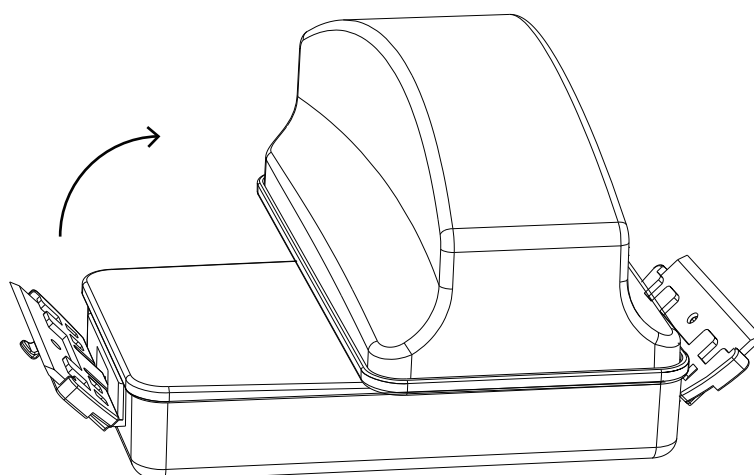
Float-up Design: When the soft side is removed from the aquarium glass, the part of the glass cleaner in the aquarium floats to the water's surface. This allows you to remove it without getting your hands wet or disturbing fish or aquatic plants.

3. PRODUCT SPECIFICATIONS

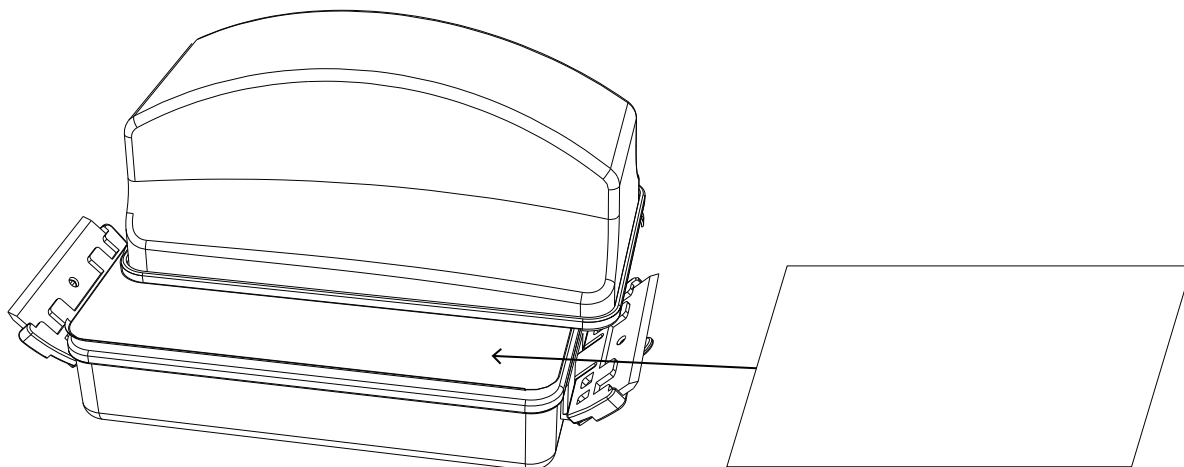
Model	Size	Glass Thickness
HG124-S	10.7*3.8*6.8 cm (4.3*1.5*2.7 inches)	≤6 cm (≤0.25 inches)
HG124-M	13.6*5*7.3 cm (5.4*2*2.9 inches)	6-12 cm (0.25-0.5 inches)
HG124-L	15.1*6.2*7.7 cm (5.9*2.4*3 inches)	12-20 cm (0.5-0.8 inches)

4. METHOD OF APPLICATION

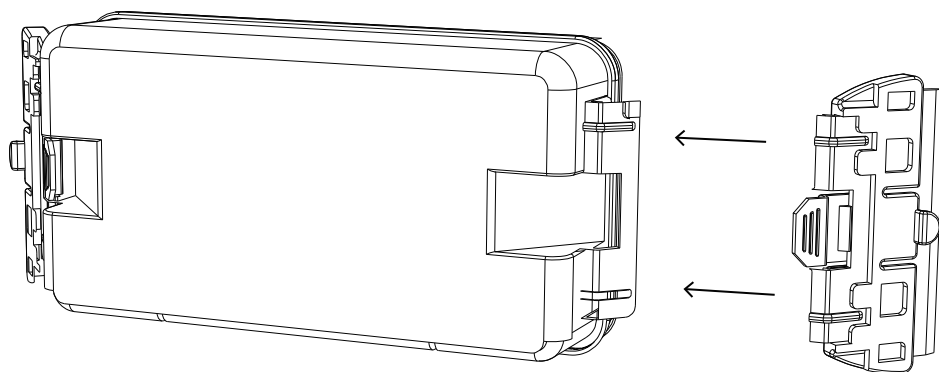
- Take the cleaner out of the package and turn the upper part 90° to separate the two parts. Then, hold the part with the stiff bristles against the aquarium glass from the inside and place the part with the soft surface against it from the outside.



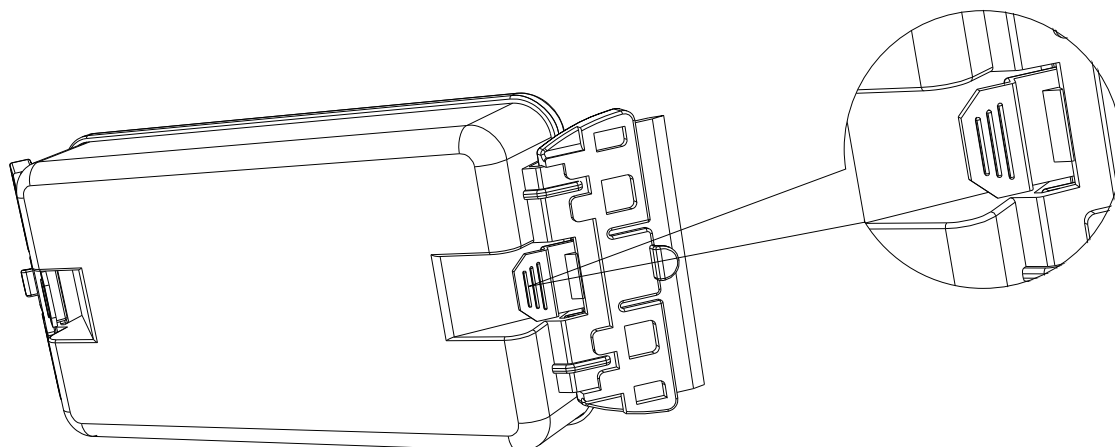
- Important reminder: When you put both parts together outside the aquarium, always put a piece of thin cardboard between them. Because of the powerful magnetic force, this makes it easy to separate the two parts again later.



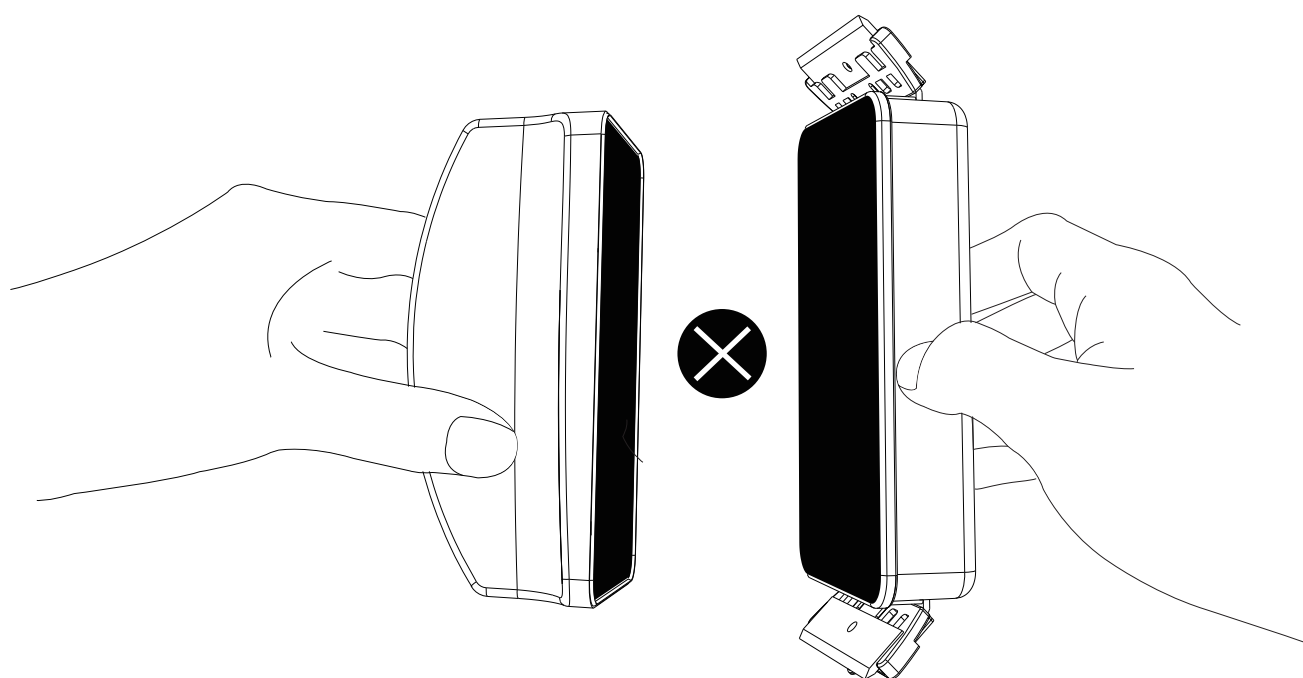
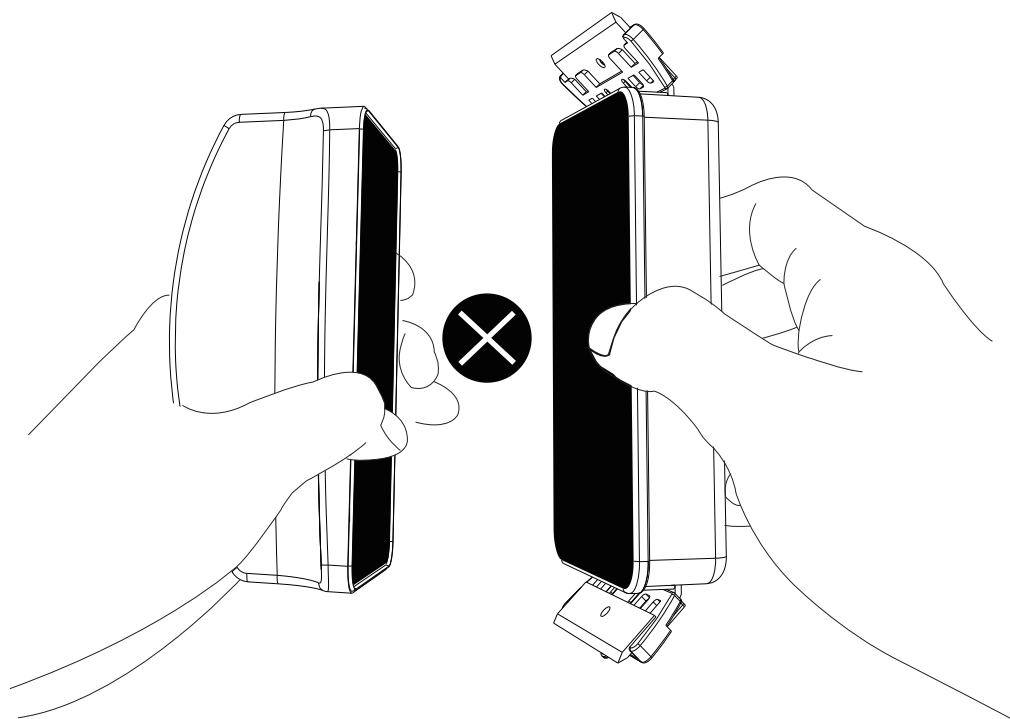
- Follow the instructions below to assemble the blade. Before use, insert the blade into the designated slot on the glass cleaner.

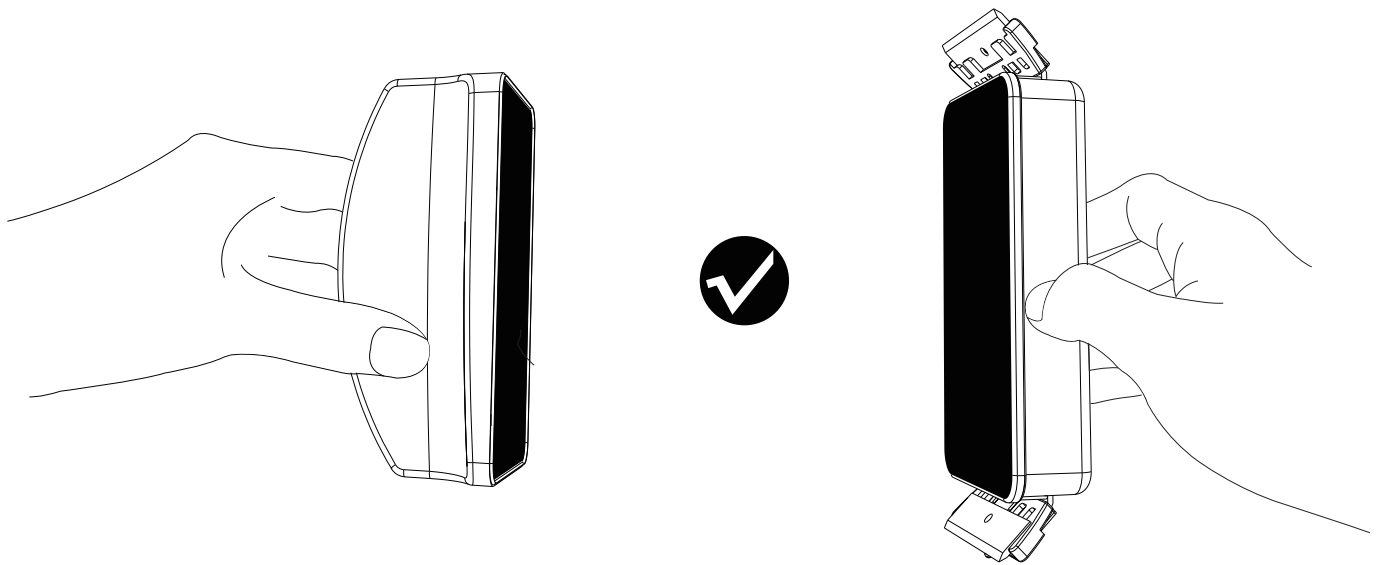


- Remove the blade from the cleaner after use.

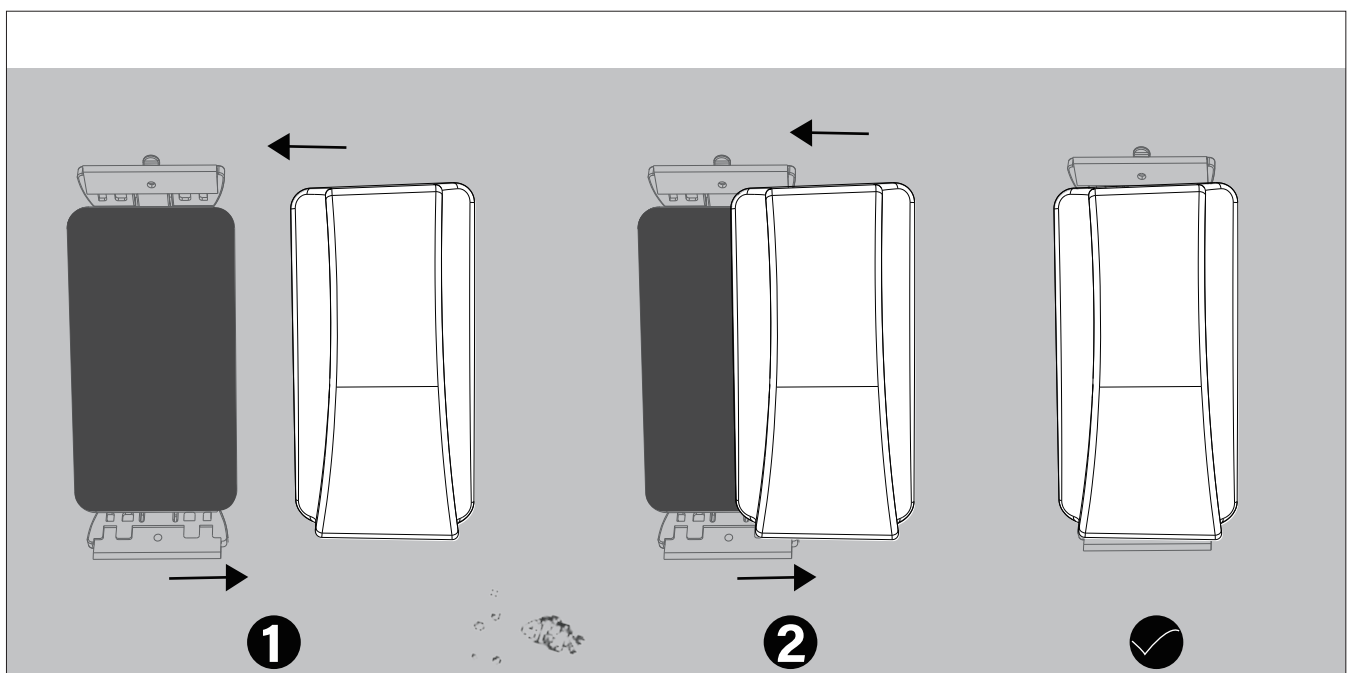


- Be careful not to pinch your fingers between the two parts of the glass cleaner. Hold the cleaner at the side and keep your fingers away from the two surfaces facing the glass.





- To attach the cleaner to the aquarium glass, first hold the part with the stiff cleaning bristles against the inside and the part with the soft surface against it, offset a little. (Hold both parts firmly so the glass is not accidentally damaged). Then, carefully push both parts together slowly until the magnet grips. Then you can start with the cleaning work.



- For optimal cleaning results, clean the surfaces after each use.

5. ATTENTIONS

- Please read this user manual carefully before use and follow the manual.
- Use caution when attaching and removing the sharp blades and store them in a safe place.
- Use caution when using this powerful magnetic glass cleaner, and be careful not to pinch your fingers between the two parts.
- Please keep the magnetic glass cleaner away from children.
- The magnetic glass cleaner is unsuitable if you wear a pacemaker or have a defibrillator implanted.
- If you forgot to insert the cardboard between the parts for storage, use a screwdriver or similar to separate them.
- To avoid reducing the magnetic force, do not expose the magnetic glass cleaner to high temperatures.
- Please keep away from all magnetic objects, such as scissors, etc.

6. ONE YEAR LIMITED WARRANTY

This product **MUST** be purchased from an authorized hygger reseller. Visit our website for a list of authorized resellers. hygger warrants this product against defects in materials and workmanship for **ONE(1) YEAR** from the date of the original retail purchase and is none-transferable. Warranty on all products, including aquariums. But it is limited to the replacement of the products and does not cover fish loss, personal injury, property loss or direct, incidental or consequential damage caused by using this product.

Note: hygger One-year Limited Warranty does not cover damage caused by the followings: improper installation, saltwater corrosion, electrical surges or modifications. Additionally, products that have been refunded are also not covered under the warranty.

If you discover a defect, please contact hygger, who will, at its option, repair or replace the product at no charge, provided that you return it during the warranty period. A copy of the bill of sale is required as a proof of the original purchase date in the event of the product needing repairs within the warranty period. hygger does not warrant any products that aren't hygger's.

This warranty does not apply if the product has been damaged by accident, abuse, misuse or misapplication, or modified without the written permission of hygger.

7. CONTACT INFORMATION

Distributed by: Hygger Aquarium, Inc.
13941 Magnolia Ave, Chino, CA 91710

E-mail: distributor@hyggeraquarium.com

Website: www.hyggeraquarium.com

Trademarks of Shenzhen Mago Trading Co., Ltd
Bantian Group Business Center, Longgang,
Shenzhen City, China
All Rights Reserved

EC**REP**

E-CrossStu GmbH
Mainzer Landstr.69, Frankfurt am Main,
Baden-Württemberg, 60329, Germany
E-CrossStu@web.de
+49 69332967674

UK**REP**

YH Consulting Limited
C/O YH Consulting Limited Office
147, Centurion House, London Road,
Staines-upon-Thames, Surrey,
TW18 4AX, London
H2YHUK@gmail.com
+44 07514-677868



MADE IN CHINA