

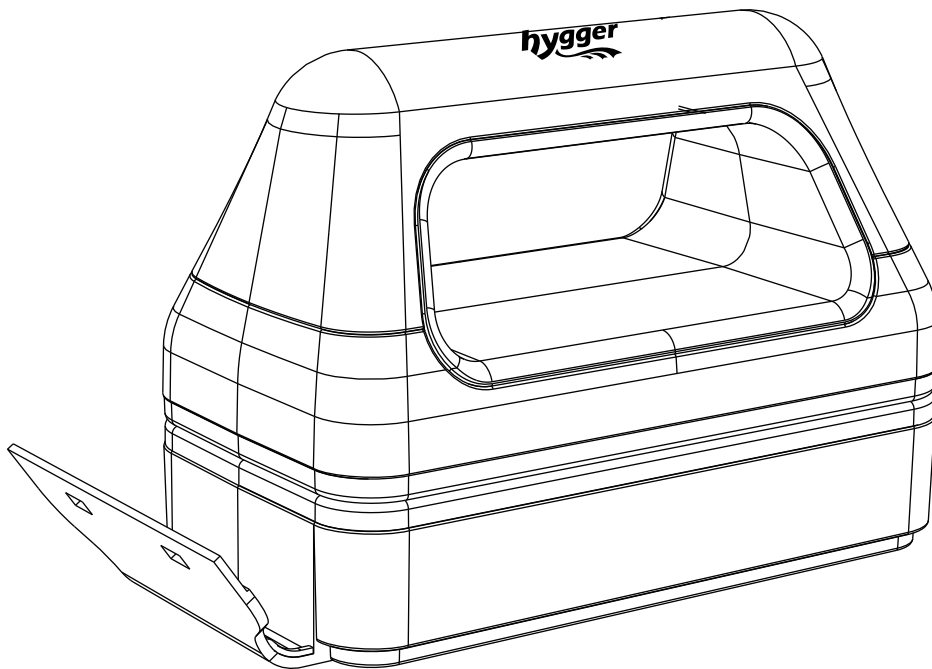


E-mail: distributor@hyggeraquarium.com

Website: www.hyggeraquarium.com



HG127 hygger aquarium magnetic glass cleaner user manual



hygger aquarium magnetic glass cleaner can be used as a scrubber and scraper to clean the glass in freshwater and saltwater aquariums. Please read this user manual carefully before use and follow it strictly.

WARNING

Do not use the magnetic glass cleaner for acrylic aquariums. Do not put your fingers between the stiff cleaning bristles and the part with the soft surface. Be careful not to pinch your fingers between the two parts of the glass cleaner.

1. PRODUCT FEATURES

Super-strong magnetic force: The magnetic aquarium glass cleaner contains a high-quality rare earth magnet with an exceptionally high holding force, which holds the glass cleaner securely and firmly to the aquarium glass.

Multifunctional glass cleaner: You can scrape and wipe with the magnetic cleaner. The surface with stiff bristles protects against scratches and is suitable for removing algae and stubborn dirt from the aquarium glass. The stainless steel and plastic blades can tackle crustose algae and other stubborn dirt.

Unique appearance design: The strong magnet and ergonomic handle design allow easy and comfortable cleaning with the glass cleaner.

Float-up design: When the soft side is removed from the aquarium glass, the part of the magnetic cleaner in the aquarium floats to the water's surface. This allows you to remove it without getting your hands wet or disturbing the fish.

2. PRODUCT SPECIFICATIONS

Model	Size	Applicable aquarium glass
HG127-S	97x42x72mm (3.8x1.7x2.8inch)	≤1/4inch ≤6mm
HG127-M	120x55x82mm (4.7x2.2x3.3inch)	1/4-3/8inch 6-10mm
HG127-L	137x62x90mm (5.4x2.4x3.5inch)	3/8-3/4inch 10-19mm

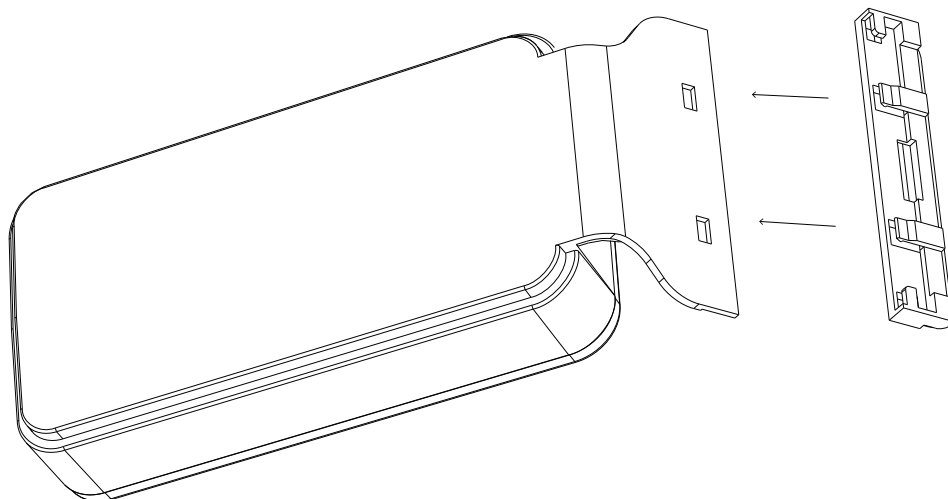
3. METHOD OF APPLICATION

Remove the cleaner from the package and turn the upper part 90° to separate the two parts. Then, hold the part with the stiff bristles against the aquarium glass from the inside and place the part with the soft surface against it from the outside.

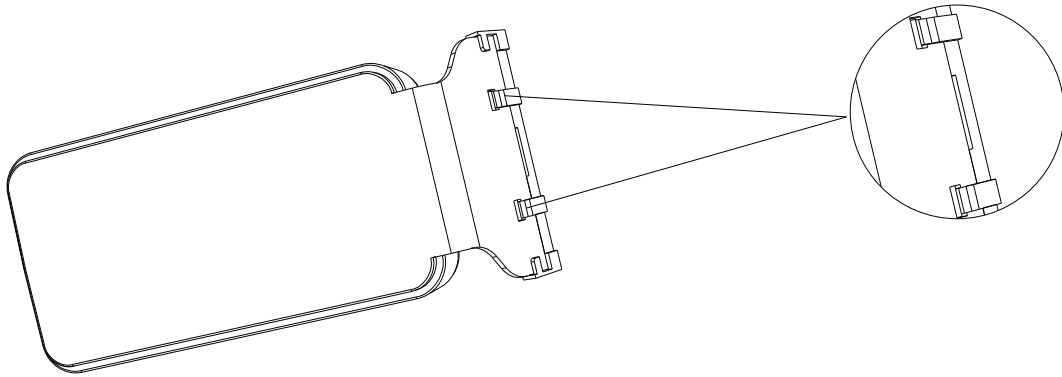


Follow the instructions below to assemble the blade:

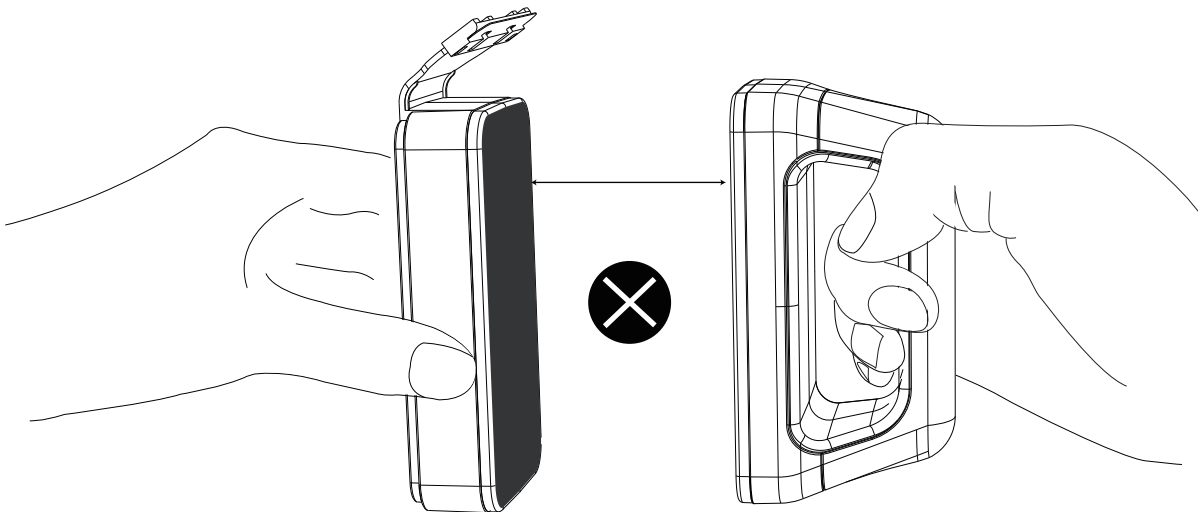
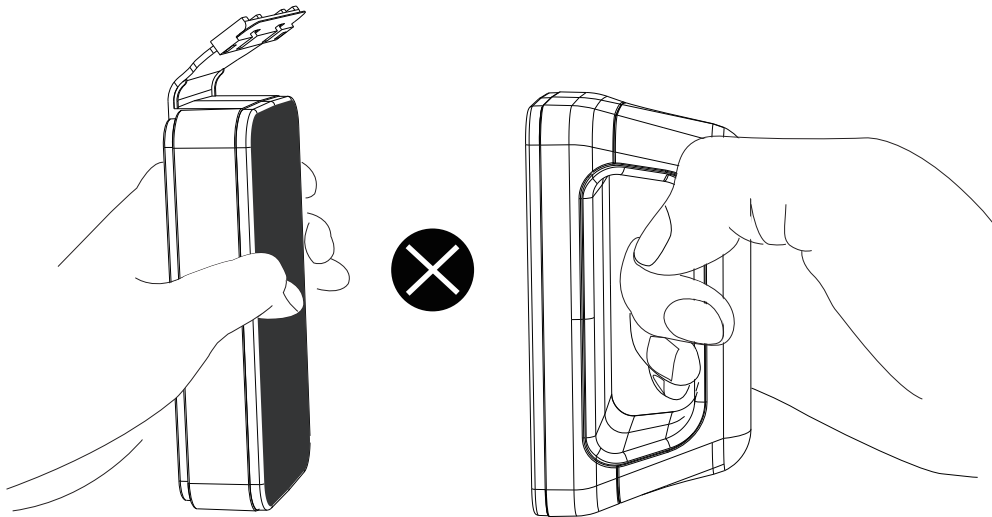
1. Insert the blade into the slot provided on the glass cleaner before use.

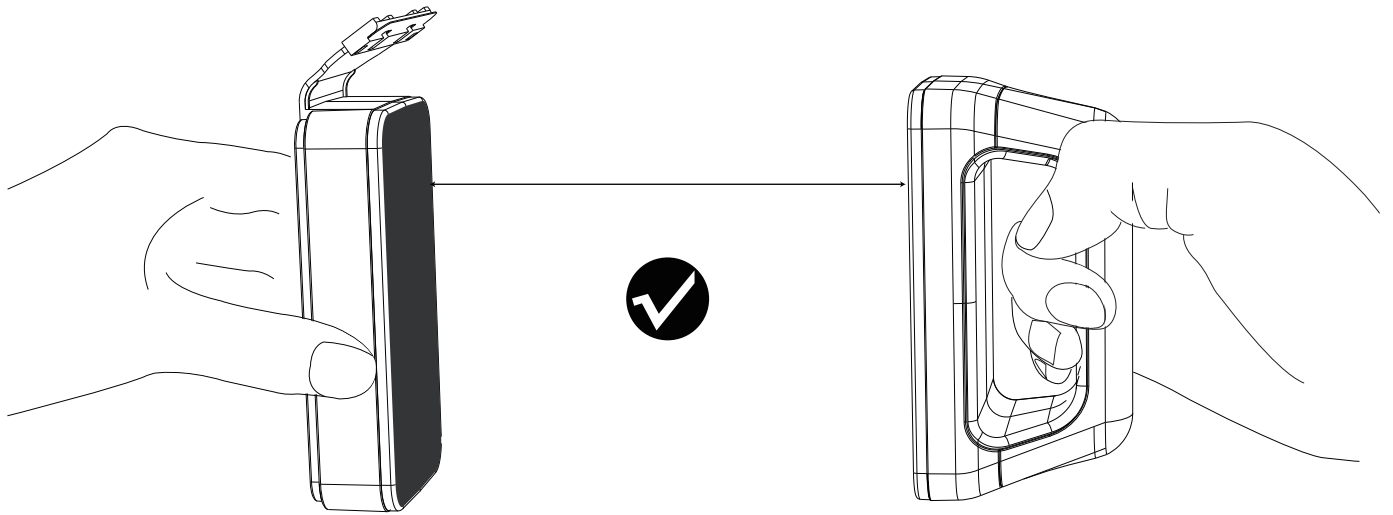


2. Remove the blade from the glass cleaner after use.

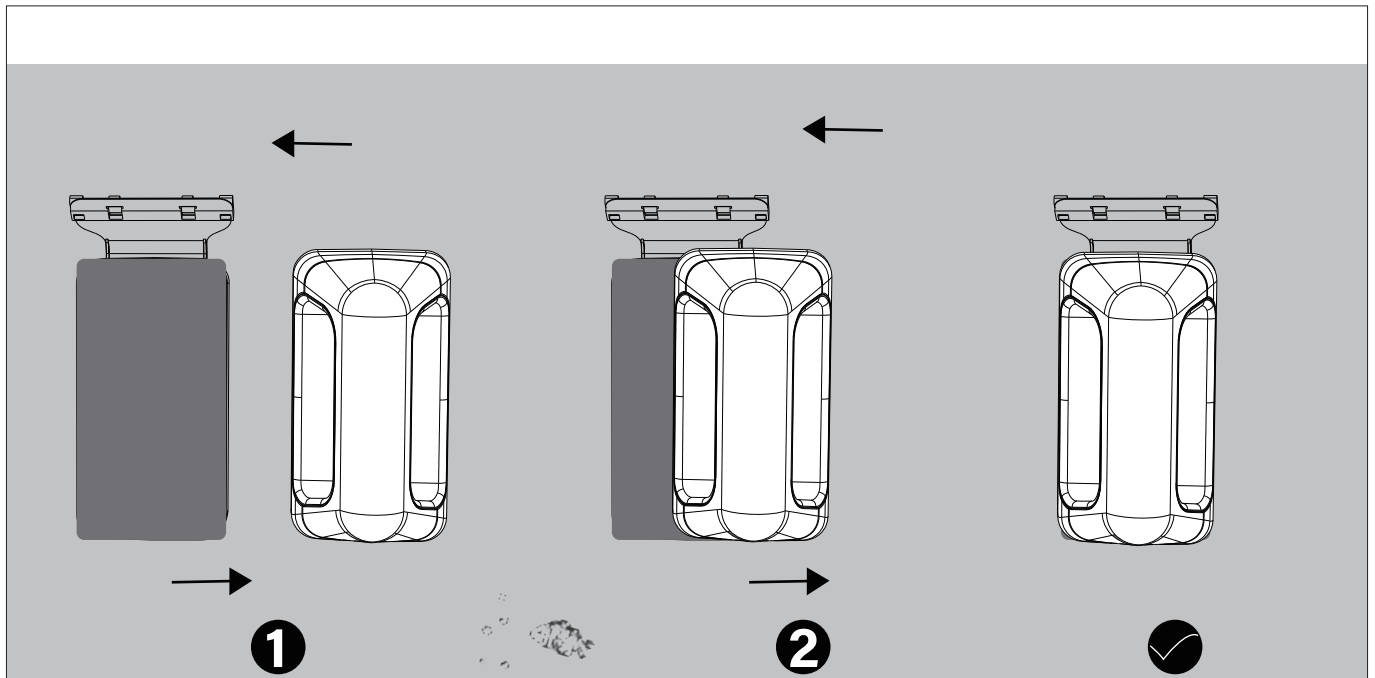


Take care not to pinch your fingers between the two parts of the glass cleaner. Hold the glass cleaner at the side and keep your fingers away from the two surfaces facing the glass.





To attach the cleaner to the aquarium glass, first hold the part with the stiff cleaning bristles against the inside and the part with the soft surface against it, offset a little. Hold both parts firmly so that the glass is not accidentally damaged. Then, carefully push both parts together slowly until the magnet grips. Then you can start with the cleaning work.



When not in use, store the glass cleaner in its packaging.

Please be careful not to knock/drop the device from a high place.

For optimal cleaning results, clean the surfaces after each use.

The two blades can be easily and conveniently replaced.

4. ATTENTIONS

Please read this user manual carefully before use and follow strictly the manual.

- Use caution when attaching and removing the sharp blades, and store them safely.
- Use caution when using this powerful magnetic glass cleaner. Be careful not to pinch your fingers between the two parts.
- Please keep the magnetic glass cleaner away from children.
- The magnetic glass cleaner is unsuitable if you wear a pacemaker or have a defibrillator implanted.
- If you can't separate the two parts of the magnetic cleaner, use a screwdriver or something similar to separate them .
- To avoid reducing the magnetic force, do not expose the magnetic glass cleaner to high temperatures.
- Please keep away from all magnetic objects, such as scissors.

5. PACKING LIST

- 1x Cleaning side with stiff bristles
- 1x Soft cleaning side
- 1x Stainless steel blade
- 1x Plastic blade
- 1x User manual

6. ONE YEAR LIMITED WARRANTY

This product MUST be purchased from an authorized hygger reseller. Visit our website for a list of authorized resellers.

hygger warrants this product against defects in materials and workmanship for ONE (1) YEAR from the date of the original retail purchase and is none-transferable.

Warranty on all products, including aquariums. But it is limited to the replacement of the products and does not cover fish loss, personal injury, property loss or direct, incidental or consequential damage caused by using this product.

Note: hygger One-year Limited Warranty does not cover damage caused by the followings: improper installation, saltwater corrosion, electrical surges or modifications.

Additionally, products that have been refunded are also not covered under the warranty.

If you discover a defect, please contact hygger, who will, at its option, repair or replace the product at no charge, provided that you return it during the warranty period. A copy of the bill of sale is required as a proof of the original purchase date in the event of the product needing repairs within the warranty period. hygger does not warrant any products that aren't hygger's.

This warranty does not apply if the product has been damaged by accident, abuse, misuse or misapplication, or modified without the written permission of hygger.

7. CONTACT INFORMATION

Distributed by: Hygger Aquarium, Inc.
13941 Magnolia Ave, Chino, CA 91710

E-mail: distributor@hyggeraquarium.com

Website: www.hyggeraquarium.com

Trademarks of Shenzhen Mago Trading Co., Ltd
Bantian Group Business Center, Longgang,
Shenzhen City, China
All Rights Reserved

Made in China

EC	REP
-----------	------------

E-CrossStu GmbH
Mainzer Landstr.69, Frankfurt am Main,
Baden-Württemberg, 60329, Germany
E-CrossStu@web.de
+49 69332967674

UK	REP
-----------	------------

YH Consulting Limited
C/O YH Consulting Limited Office
147, Centurion House, London Road,
Staines-upon-Thames, Surrey,
TW18 4AX, London
H2YHUK@gmail.com
+44 07514-677868



MADE IN CHINA