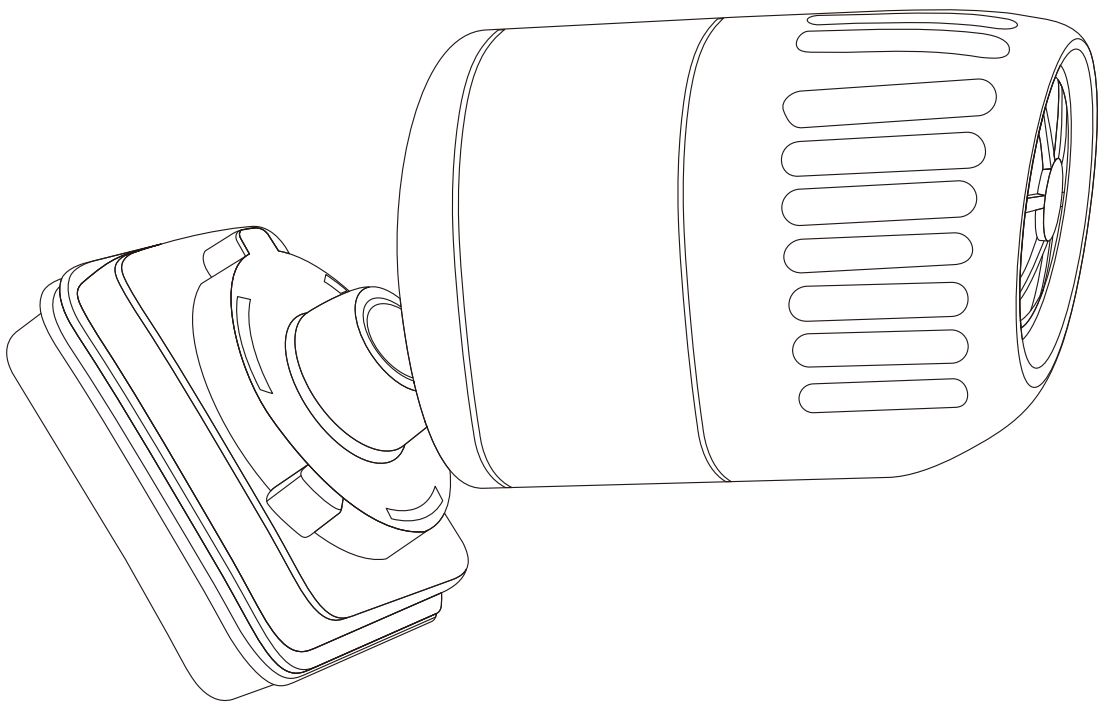




# **HG021 USER MANUAL**

## hygger aquarium wave maker



Please provide your amazon order id (amazon invoice) and shipping address by E-mail:[Mago@hygger-online.com](mailto:Mago@hygger-online.com) if you have any problem. Thanks!

## **WARNINGS:**

- 1.To ensure performance, do not let the pump run dry.
- 2.Be careful when assemble the magnet base. Move the magnet base parallely to the outside wall of the fish tank to prevent it from breaking.
- 3.Do not immerse the plug into water or other liquid.
- 4.Do not leave the product in freezing conditions.
- 5.Do not allow children or inexperienced people to operate or play the product alone without safety supervision.

## **1. Introduction:**

The wave-making pump can make the water flow in the tank form large current and circulation. It is beneficial to the stabilization of water quality, the increase of dissolved oxygen in the water and the growth of fish.

## **2.Product Features:**

- 360° rotation to adjust the direction of the water flow
- High performance pump motor, low noise
- Wear-resistant ceramic shaft, suitable for fresh and salt water
- Great power and sufficient flow
- Simple and classic appearance

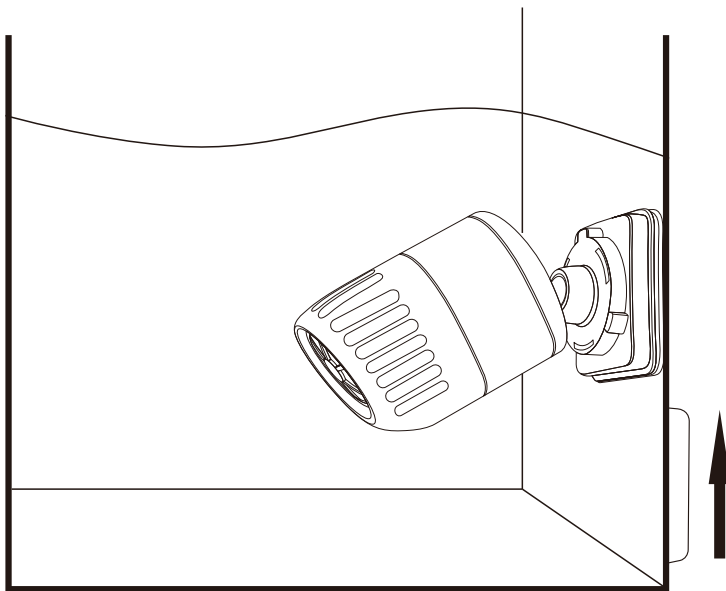
## **3.Product Parameters:**

|                                   |                                 |
|-----------------------------------|---------------------------------|
| <b>Item No.</b>                   | HG021-3W                        |
| <b>Voltage</b>                    | AC110-120V/60Hz AC220-240V/50Hz |
| <b>Cord Length</b>                | 5.9FT (1.8M)                    |
| <b>Dimension</b>                  | 2.6x2.16x4.7" (6.5x5.5x12cm)    |
| <b>Application Tank Thickness</b> | 4-10mm                          |
| <b>Application Tank</b>           | 5-20Gal                         |
| <b>Q.Max</b>                      | 530GPH(2000L)                   |


|                                   |                                 |
|-----------------------------------|---------------------------------|
| <b>Item No.</b>                   | HG021-6W                        |
| <b>Voltage</b>                    | AC110-120V/60Hz AC220-240V/50Hz |
| <b>Cord Length</b>                | 5.9FT (1.8M)                    |
| <b>Dimension</b>                  | 2.6x2.16x5.7" (6.5x5.5x14.5cm)  |
| <b>Application Tank Thickness</b> | 4-10mm                          |
| <b>Application Tank</b>           | 20-105Gal                       |
| <b>Q.Max</b>                      | 1056GPH(4000L)                  |

#### 4. Installation Instructions:

- A) Remove the rear magnet base from the bottom of the pump.
- Place the pump at the center of the inner tank wall and hold it with one hand.
  - Shift the rear magnet base along the outside wall to the same position with the other hand to fix the pump. (Fig. 1)



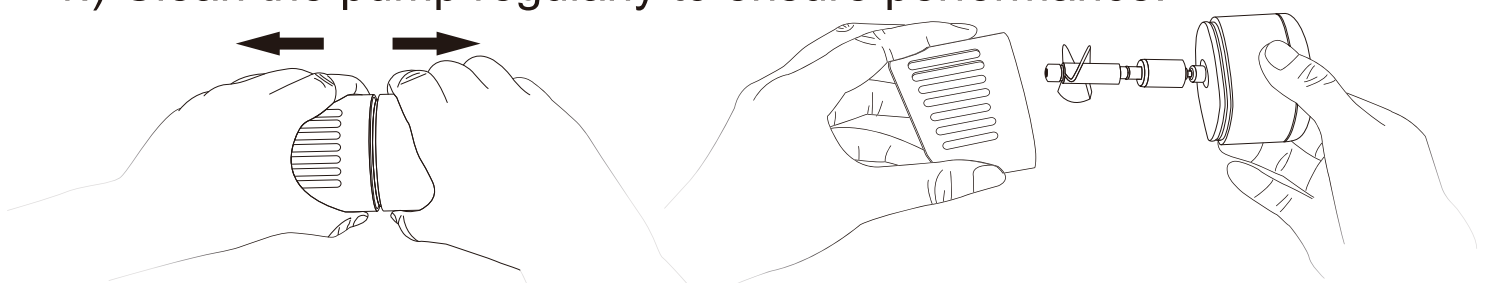
**Fig.1**

Caution:  Be careful of fingers being clamped due to strong magnetism.

- B) Plug in the power supply, the pump will start working.  
 C) To stop the wave maker, simply plug it out.

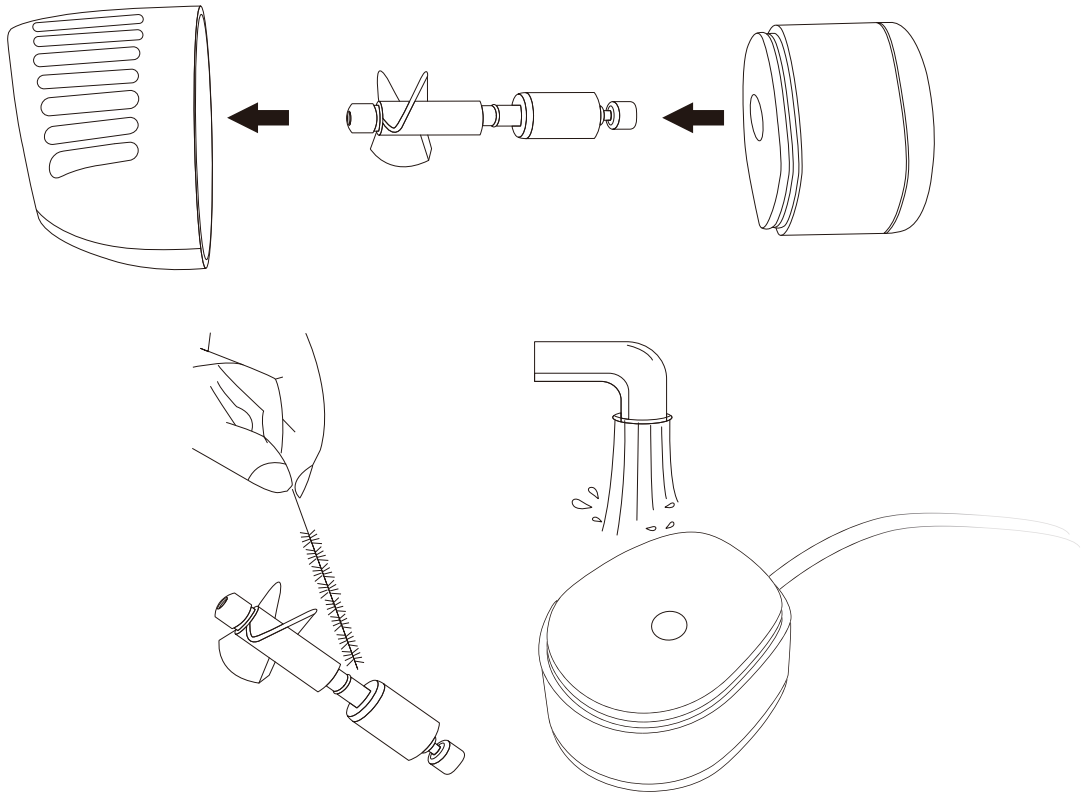
#### 5. Maintenance:

- 1.) Clean the pump regularly to ensure performance.



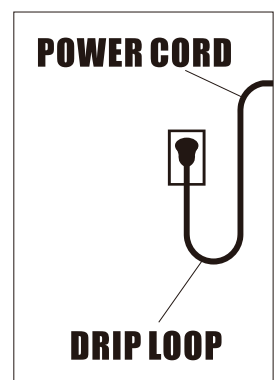
Hold the pump tightly with your hands and break it apart.

2.) Take out the motor and impeller, use some soft cloth or a brush to clean the impeller the pump with clear water.



**- Clean the wave maker at least once a month. More frequent cleaning might be needed depending on the water condition.**

3.) The power cord of the pump must be below the power socket to form a drip loop to prevent water from flowing into the power socket along the power cord.



## **6.Important Safety Cautions:**

- A) Make sure you are using a correct power supply.
- B) The power cord is not replaceable, if the power cord or the plug is found hurt, damaged or aged, stop using the product immediately.
- C) Do not attempt to shorten, lengthen or remove the plug. Failing to meet this point may cause serious safety problem.
- D) There is abnormal smell or noise coming from the product, unplug it immediately and find the cause.
- E) Make sure your hands and the plug are dry when plugging in or unplugging the product. It is forbidden to plug or unplug the product with wet hands as it might cause electric shock.

## **7.Disposal:**

Please don't dispose this product as unsorted municipal waste. Collection of such waste separately for special treatment is

necessary. Not put it together with the domestic waste which should be solved as an authorized place for recycling of electrical and electronic appliances for collecting and recycling waste. Please consult with your local seller to make sure the product is disposed in an environmental friendly way.



## 8. Package Included:

1 × Wave maker

1 × User manual

## 9. One Year Limited Warranty:

This product MUST be purchased from an authorized hygger reseller. Visit our website for a list of unauthorized resellers. Hygger warrants this product against defects in materials and workmanship for ONE (1) YEAR from the date of original retail purchase and is none transferable. Warranty on all products, including aquariums. But it is limited to the replacement of the products and does not cover fish loss, personal injury, property loss or direct, incidental or consequential damage arising from the use of this product.

**Note:** Hygger One-year Limited Warranty does not cover damage caused by the followings: improper installation saltwater corrosion, electrical surges or modifications. If you discover a defect, please contact hygger, who will, at it's option, repair or replace the product at no charge to you, provided that you return it during the warranty period. A copy of the bill of sale is required as a proof of original purchase date in the event of the product needing repairs within the warranty period. Hygger does not warrant any products that are not belong to hygger.

This warranty does not apply if the product has been damaged by accident, abuse, misuse or misapplication or if the product has been modified without the written permission of hygger.

## 10. Contact Information:

Brand owner: Shenzhen Mago Trading Co., Ltd

Add: Bantian Group Business Central, Longgang

District, Shenzhen City, Guangdong Province, China

E-mail: [mago@hygger-online.com](mailto:mago@hygger-online.com)

Website: <http://www.hygger-online.com>

|           |            |
|-----------|------------|
| <b>EC</b> | <b>REP</b> |
|-----------|------------|

Company:E-CrossStu GmbH  
Address: Mainzer Landstr.69,60329  
Frankfurt am Main  
E-mail:e-crossstu@outlook.com  
Tel:+49 69332967674

|           |            |
|-----------|------------|
| <b>UK</b> | <b>REP</b> |
|-----------|------------|

CET Product Service Ltd.  
Beacon House Stokenchurch Business  
Park,Ibstone Rd,Stokenchurch  
High Wycombe HP14 3FE UK  
info.cetservice@gmail.com  
+447419325266



MADE IN CHINA