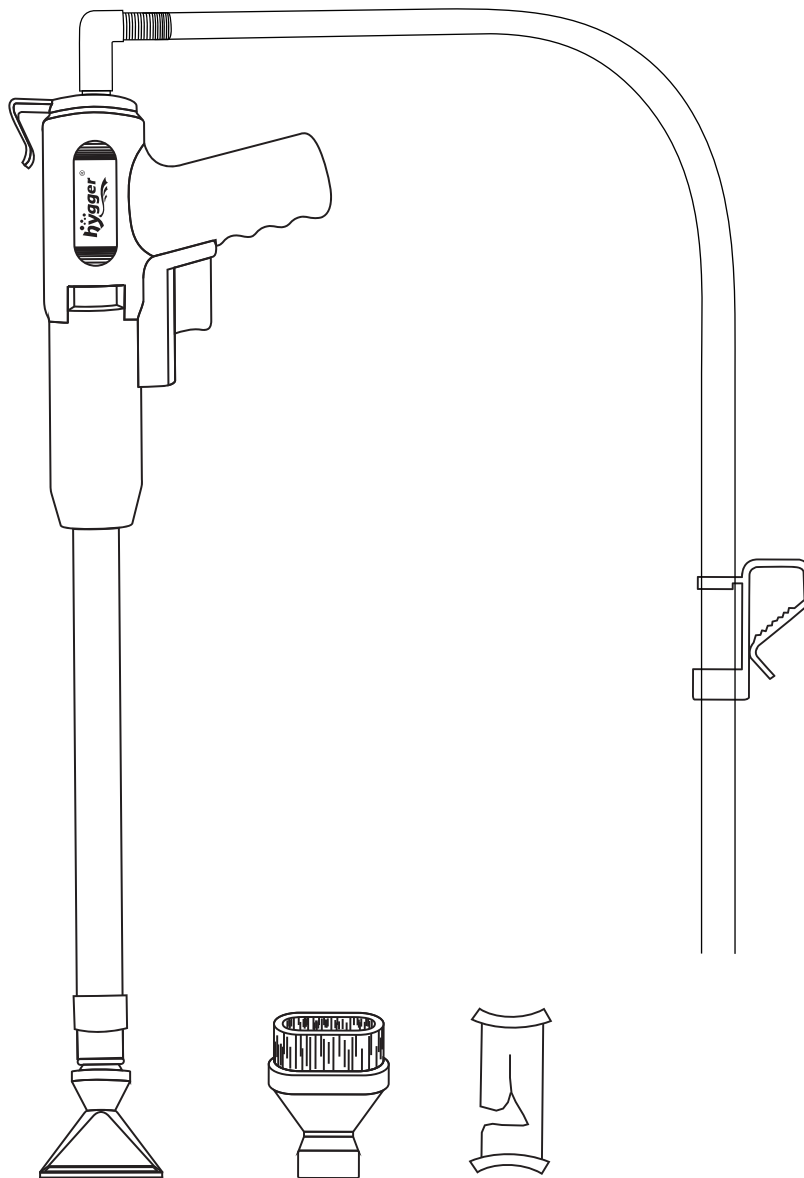




HG036 USER MANUAL

hýgger aquarium gravel cleaner



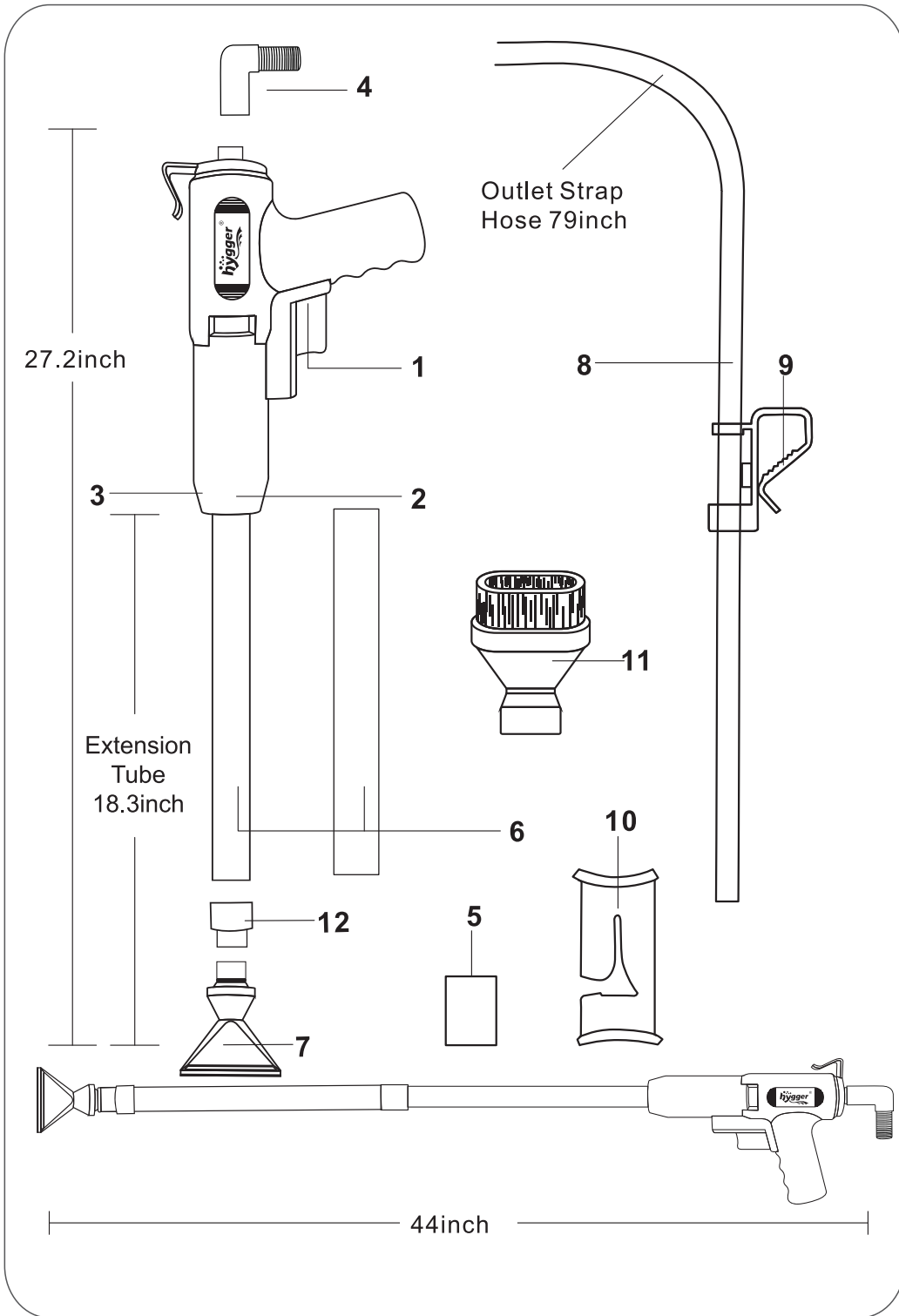
1. PRODUCT FEATURES

- **Multi-function:** This Gravel cleaner can be used for water changes, sand washing and dirt absorption. Easy to remove fish faeces, impurities, and turbid water from aquarium.
- **Unique design:** This Gravel cleaner is the latest design with more power suction power to provide a better user experience. The patented design provides a more comfortable grip.
- **Adjustable handle design :** Aquarium gravel cleaner with 2 extension tubes for a total length of 40.9 inch. It can be extended from 22.4 inch to 40.9 inch. Applied to depth below 31.5 inch aquariums.
- **Prevent blocking design:** The gravel cleaner has an internal filter screen to prevent blockage by gravel. It effectively separates and removes debris from your aquarium.
- **Larger extension tube:** This Larger extension tube with 1×1-1/8inch allow to use in bigger Aquariums.
- **Long outlet strap hose design:** 79inch strap hose to satisfy your needs, suitable for small or large aquarium.
- **Easy to assemble and use:** Quick assembly within one minute. Just mount the water inlet and outlet. Push the siphon switch several times until the water fills with the whole outlet strap tube. Then, release the siphon switch and water can flow out automatically. Equip a flow control valve and the hose fixture clamp. The outlet strap hose can be hung on the bucket and the water flow can be adjusted freely.
- **Silent design:** The aquarium gravel cleaner is manual in operation. The only noise is that of water.
- **Powerful vacuum :** It has enough power to clean every corner of the tank without wet hands, quickly draining dirty water.

2. PRODUCT SPECIFICATION AND PACKAGE

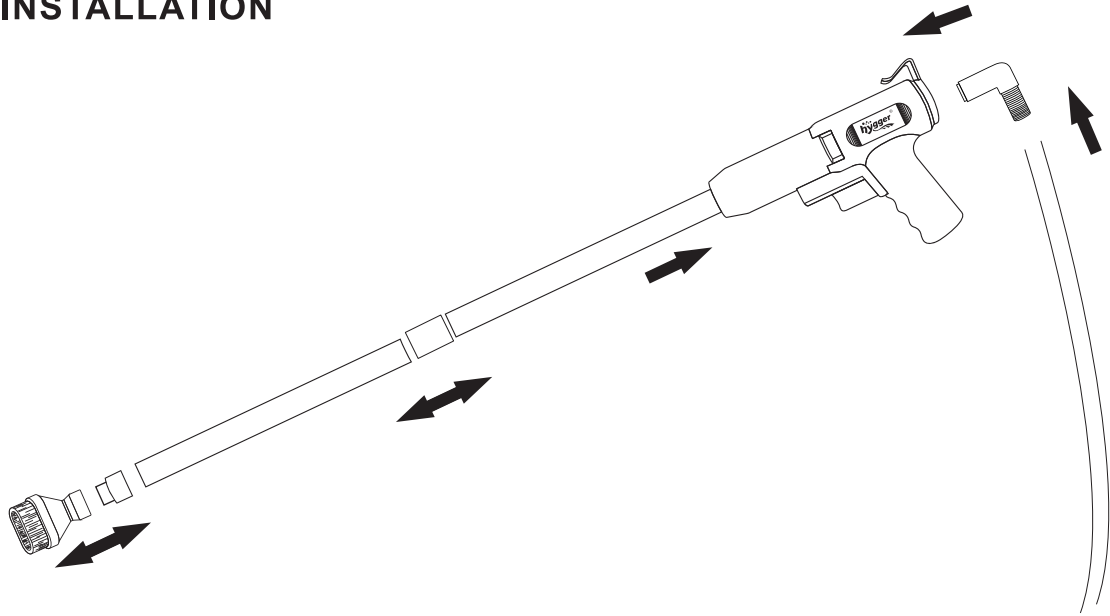
Model	HG036-12MM	HG036-9MM
Material	ABS+PVC	ABS+PVC
Outlet strap hose	66inch	66inch
Outlet strap hose Inner Diameter	Φ1/2inch (12mm)	Φ3/8inch (9mm)
Extension tube Pipe diameter	0.98inch (2.5cm)	0.98inch (2.5cm)
Package Included	Product body contains: 1× Rod handle(1pc gravel changer+2pcs extension tubes+1pcs extension tube connector+1pcs L-shaped Outlet connector)	
	1× Debris Vacuum 1× 1/2inch Outlet strap hose 1× Flow control valve 2× Hose fixture clamp 1× Cleaner brush 1× Connector for cleaner brush and suction nozzle	1× Debris Vacuum 1× 3/8inch Outlet strap hose 1× Flow control valve 2× Hose fixture clamp 1× Cleaner brush 1× Connector for cleaner brush and suction nozzle 1× Hose Inlet Connector

3. ATTACHMENTS INSTRUCTION

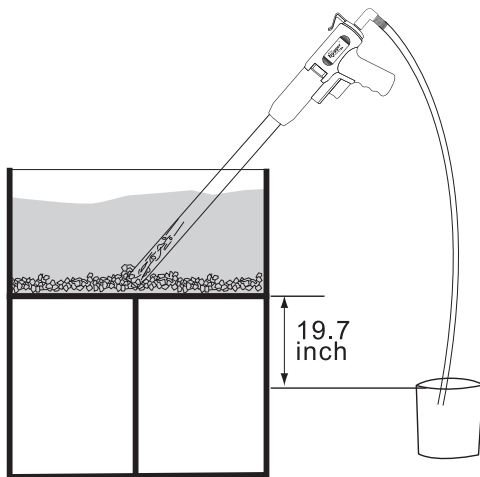


- 01** Siphon switch
- 02** Filter screen
- 03** Inlet connector
- 04** Outlet connector
- 05** Extension tube connector×1
- 06** Extension tube×2
- 07** Suction nozzle*1
- 08** Outlet strap hose×1
- 09** Hose fixture clamp×2
- 10** Flow control valve×1
- 11** Clean brush
- 12** Connector for Suction nozzle and cleaner brush

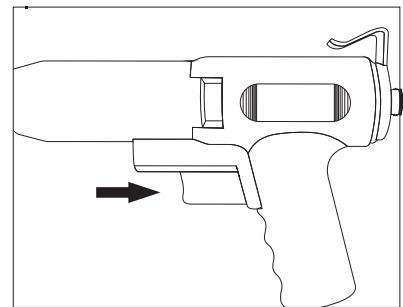
4.INSTALLATION



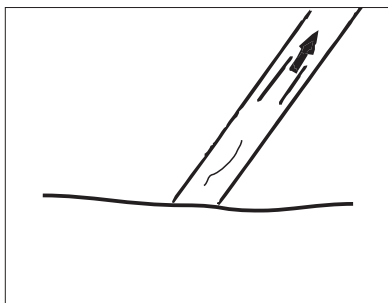
1.Connect the water inlet and outlet before using.



2.Put the extension tube into aquarium and the water outlet into a bucket.

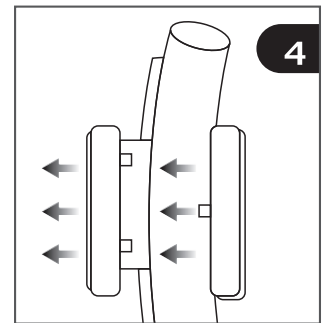
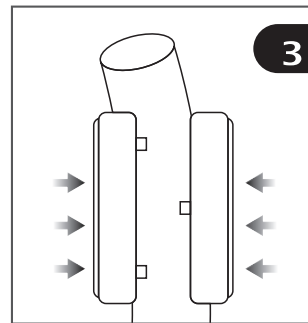
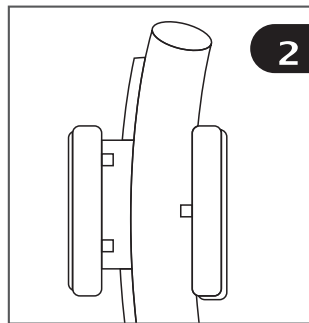
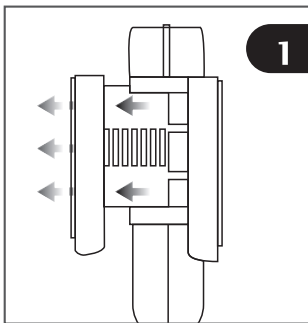
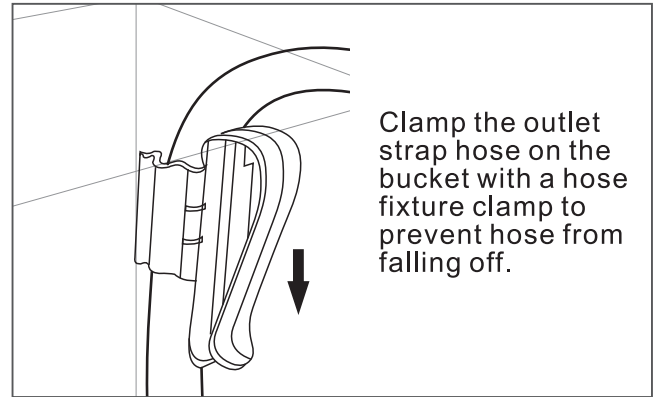
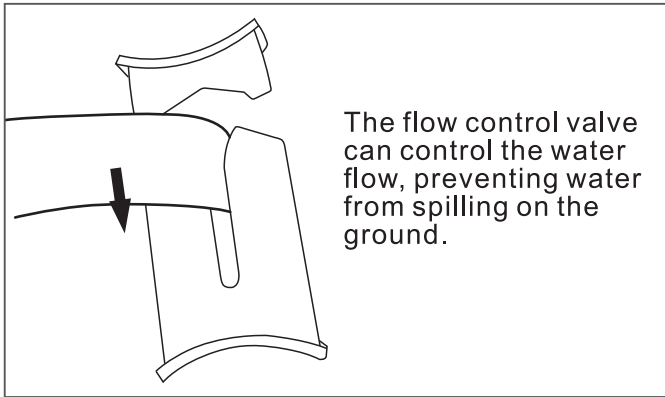


3.Then push the siphon switch several times until the water fills with the whole outlet strap tube, release the siphon switch, and water will flow out automatically.

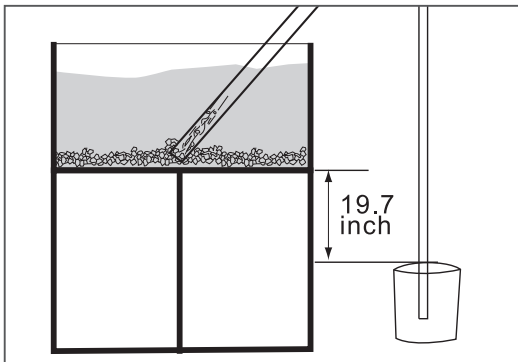


4.The outlet works normally allow the sand to move up and down in the extension tube to remove debris from your aquarium.

ATTENTIONS



Clamp can extend to fix the hose tightly.



The water outlet must be at least 19.7inch lower than the water inlet when you use this gravel cleaner.

5. ATTENTIONS

Please read this user manual carefully before using and follow strictly in accordance with the manual.

- ✓ Please keep it away from the children.
- ✓ The water outlet must be at least 19inch lower than the water inlet when you use this gravel cleaner.
- ✓ Please check for air leakage when connecting the tube.
- ✓ Please clean the internal garbage regularly.
- ✓ Do not use the gravel cleaner in flammable and corrosive liquid.
- ✓ Do not use the water changer in too hot(above 36 °C/86 °F) or too cold(under 0 °C/32 °F) water It would damage the material.

6.TROUBLESHOOTING

If the siphon tube is damaged, it can not change water. You need to replace.

7.WARRANTY

1. 1-year free warranty.
2. 1-month free return.
3. Free replacement for 3 months.

8. CONTACT INFORMATION:

Brand owner: Shenzhen Mago Trading Co., Ltd

Add: Bantian Group Business Central,
Longgang District, Shenzhen City,
Guangdong Province, China

WhatsApp: +12028664104

Website: www.hygger-online.com

E-mail: Mago@hygger-online.com



Please provide your amazon order id (amazon invoice) and shipping address by E-mail:mago@hygger-online.com if you have any problems.



Company: E-CrossStu GmbH

Address: Mainzer Landstr.69,60329

Frankfurt am Main

E-mail: e-crossstu@outlook.com

Tel: +49 69332967674



CET Product Service Ltd.

Beacon House Stokenchurch Business

Park,lbstone Rd,Stokenchurch

High Wycombe HP14 3FE UK

info.cetservice@gmail.com

+447419325266



MADE IN CHINA