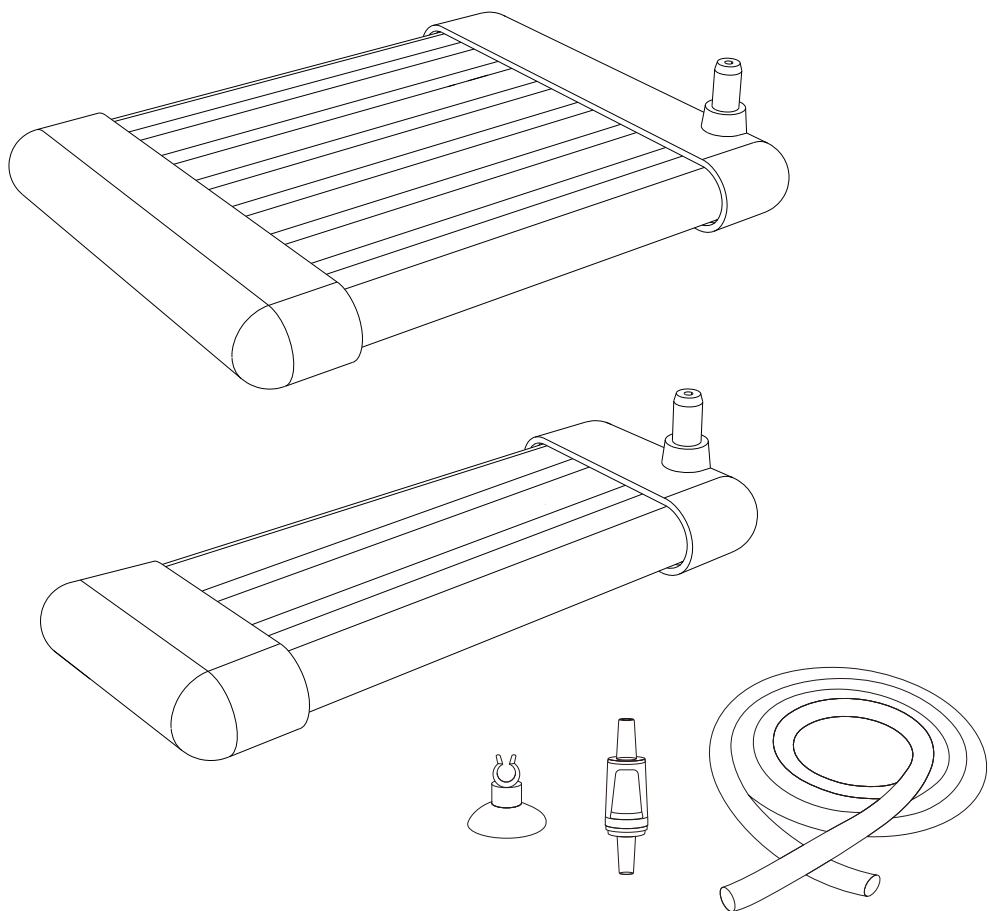




# HG093 USER MANUAL

**hygger new design disc nano diffused air plate set**



**Accessories included: Air tube/check valve/suction cup  
Air pump is not included.**

# 1. PRODUCT FEATURES

**Ultra-High Dissolved Oxygen:** Special EVA material produces an abundance of bubbles, providing ample oxygen for the tank and promoting fish growth.

**Unique Design of Plastic Air Plate Set:** Made of PVC+ fiber material, the air plate set creates a mesmerizing bubble wall, adding a touch of beauty and fantasy to the aquarium.

**Long Time Use and Easy Cleaning:** Special corrosion-resistant material makes long time use and without clogging, which is different from the traditional air stone.

**Suitable for both freshwater & saltwater.**

# 2. PRODUCT SPECIFICATIONS

<b>Model</b>	HG093-3.5CM(1.4")	HG093-9.5CM(3.7")
<b>Size:</b>	12M (L) x3.5CM(W) (4.7"L x 1.4"W)	12CM(L)x9.5CM(W) (4.7"L x 3.7"W)
<b>Soft tube 4x6MM</b>	✓	✓
<b>Suction cup</b>	✓	✓
<b>Air plate</b>	✓	✓
<b>Check valve</b>	✓	✓

# 3. INSTRUCTIONS

1) Before using, please fully immerse the air plate into the water.

2) Please use enough air volume of the air pump (about 2W air pump) to carry the air disk.

**Important Reminder:** Please pay more attention if the palte does not dissolve the oxygen; please change different air pump to try or change the large volume air pump because it can not ensure the air pump has enough volume.

3) Please avoid using the air plate set in flammable, corrosive chemical gas or liquid.

## 4. ONE YEAR LIMITED WARRANTY

This product MUST be purchased from an authorized hygger reseller. Visit our website for a list of unauthorized resellers. hygger warrants this product against defects in materials and workmanship for ONE(1) YEAR from the date of the original retail purchase and is none-transferable.

Warranty on all products, including aquariums. But it is limited to the replacement of the products and does not cover fish loss, personal injury, property loss or direct, incidental or consequential damage caused by using this product.

**Note:** hygger One-year Limited Warranty does not cover damage caused by the followings: improper installation, saltwater corrosion, electrical surges or modifications. Additionally, products that have been refunded are also not covered under the warranty.

If you discover a defect, please contact hygger, who will, at it's option, repair or replace the product at no charge, provided that you return it during the warranty period. A copy of the bill of sale is required as a proof of the original purchase date in the event of the product needing repairs within the warranty period. hygger does not warrant any products that aren't hygger's.

This warranty does not apply if the product has been damaged by accident, abuse, misuse or misapplication, or modified without the written permission of hygger.

## 5. PACKING LIST

- 1x Air plate
- 1x Air tube (1 roll)
- 1x Suction cup
- 1x Check valve
- 1x User Manual

## 6. CONTACT INFORMATION

**Distributed by:** Hygger Aquarium, Inc.  
Chino, CA 91710

Contact us at [www.hygger-online.com](http://www.hygger-online.com)  
**Email:** [mago@hygger-online.com](mailto:mago@hygger-online.com)

Trademarks of Shenzhen Mago Trading Co., Ltd  
Bantian Group Business Center, Longgang,  
Shenzhen City, China  
All Rights Reserved

**Made in China**

<b>EC</b>	<b>REP</b>	E-CrossStu GmbH Mainzer Landstr.69, Frankfurt am Main, Baden-Württemberg, 60329, Germany E-CrossStu@web.de +49 69332967674
-----------	------------	--

<b>UK</b>	<b>REP</b>	YH Consulting Limited C/O YH Consulting Limited Office 147, Centurion House, London Road, Staines-upon-Thames, Surrey, TW18 4AX, London H2YHUK@gmail.com +44 07514-677868
-----------	------------	---



**MADE IN CHINA**