



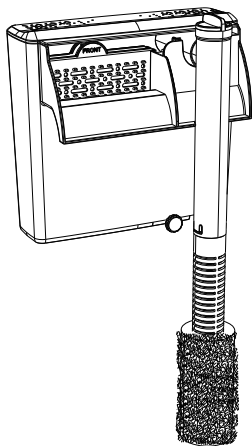
E-mail: distributor@hyggeraquarium.com

Website: www.hyggeraquarium.com

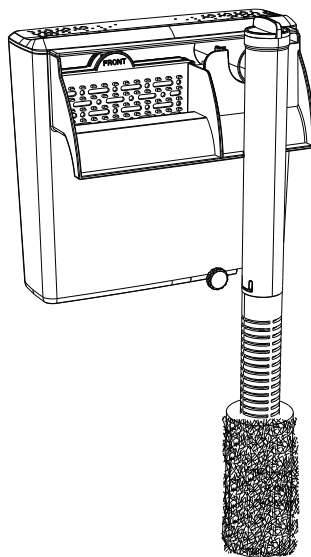


HG149 USER MANUAL

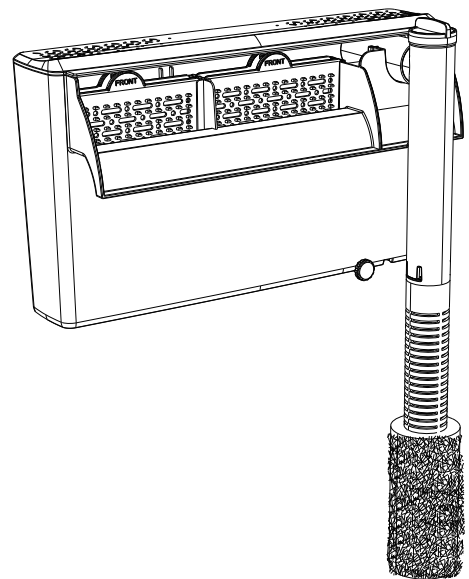
hýgger Flow Pro Aquarium Filter



HG149-S



HG149-M



HG149-L

hýgger Flow Pro Aquarium Filter is a new signal power filter with a unique indicator design. When the filter cartridge is dirty, the indicator light turns red to remind users to replace the filter cartridge.

1. PRODUCTS FEATURES

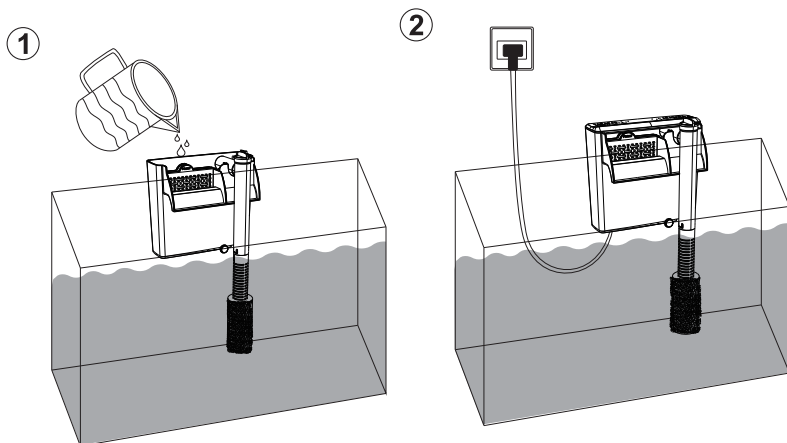
- If the indicator light turns red, replace the filter cartridge.
- A powerful 4-layer filtration system that includes mechanical, biological, and chemical processes ensures clean and stable water quality.
- The extendable inlet tube and adjustable flow rate ensure the filter functions properly under various conditions.
- Ultra-quiet operation with noise level below 40dB.
- Easy to install and maintain, is recommended to replace the filter cartridge every 3-4 weeks for optimal performance.
- Suitable for both fresh water and marine water aquarium.

2. PRODUCT SPECIFICATIONS

Size	5.9"x2.8"x6.1" (15X7X15.5CM)	7.9"x2.9"x7.3" (20X7.5X18.5CM)	12.8"x3.2"x7.3" (32.5x8x18.5CM)
Volt/Freq	US standard: AC110-120V/60Hz EU/UK/AU standard: AC220-240V/50Hz		
Item No.	HG149-S	HG149-M	HG149-L
Power	4.8W	10.5W	11.5W
Water Flow	105GPH (400L/H)	210GPH (800L/H)	315GPH (1200L/H)
Recommended aquarium size	5-15Gal(20-55L)	20-40Gal(75-150L)	40-75Gal(150-280L)

3. INSTRUCTIONS

- Install the inlet tube into the filter. Please note that the extendable inlet tube is adjustable, you can adjust it flexibly.
- The adjuster is adjustable to fit the aquarium glass.
- When using the filter for the first time, fill it with sufficient water before plugging in.

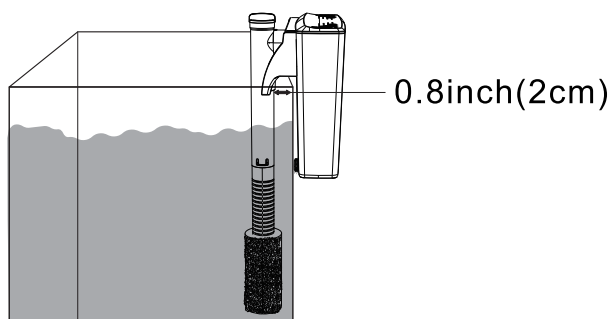


- Adjust the water flow as needed.

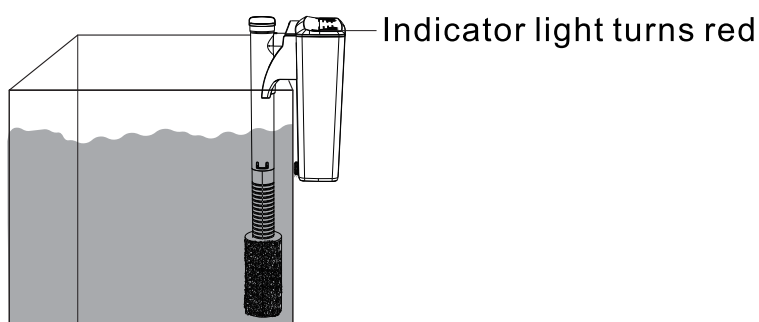
- Reminder:

1)When using the filter for the first time, it is normal for unusual noises to occur. This is because the air enters the inlet tube when the pump draws in the water. You must wait a few times for the filter to reach the expected performance.

2)Make sure to fit the aquarium glass with a thickness up to 0.8inches(2cm).



3)Indicator light turns red to remind the user to replace the filter cartridge.



4)When the filter chamber is lack of the water, it must be refilled with water.

4. ATTENTIONS

- √ Please read this user manual carefully before using and follow it strictly.
- √ Please keep the power supply away from water since it is not waterproof.
- √ Please keep the pump away from flammable items to avoid accidents.
- √ Please unplug the power and contact the seller if the filter is not working properly.

****OPENING WILL VOID WARRANTY****

√ Please unplug the power before maintenance.

√ Please mind that the operating temperature range for the filter is between 40°F~95°F (4°C~35°C).

5. WARNING

To avoid possible electric shock, do not immerse the switch in the water. If the switch falls into the water or becomes wet, do not touch it until you have unplugged it.

Basic safety precautions that should be observed are as follows:

1. Read and follow this user manual strictly.

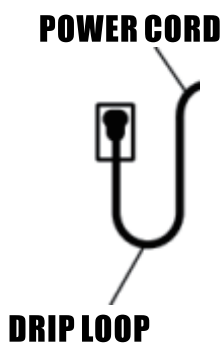
2. **DANGER-** To avoid possible electric shock, special care should be taken since water is employed in the use of aquarium equipment. For each of the following situations, do not attempt to repair yourself. Instead, return the filter to an authorized service facility for maintenance or discard it.

A. If the appliance falls into the water, **DO NOT** touch it. First unplug it, then retrieve it. If electrical components of the appliance get wet, unplug it immediately.

B. Carefully examine the filter after installation. It should not be plugged in if there is water on parts that are not intended to be wet.

C. Do not operate the filter if it has a damaged cord or plug, is malfunctioning, dropped, or damaged in any manner. The power cord of this filter cannot be replaced. If the cord is damaged, the filter should be discarded.

D. To avoid the possibility of the filter plug getting wet, position the aquarium and its stand to one side of a wall mounted outlet to prevent water from dripping onto the outlet or plug. A “drip loop”, shown in the figure below, should be arranged by the user for each cord, which connects the filter to the outlet. If an extension cord is used, the “drip loop” is the part of the cord below the level of the outlet or the connector that prevents water from traveling along the cord and coming in contact with the outlet. If the plug or outlet does get wet, **DO NOT** unplug the cord. Disconnect the fuse to the circuit breaker that supplies power to the filter. Then, unplug and examine for the presence of water in the outlet. If you are not sure, consult a certified electrician.



3. Close supervision is necessary when the filter is used near children.

4. This filter is not allowed to use by persons (including children) with reduced physical sensory or mental capabilities or lack of experience and knowledge unless they have been given supervision or instruction concerning the use of the filter by a person responsible for their safety.

5. To avoid injury, do not contact moving or hot parts.
6. Always unplug the filter from the outlet when not in use, before putting on or taking off parts, maintenance, or placing hands in the water. Never yank the cord to pull the plug from the outlet. Grasp the plug and pull to disconnect.
7. Do not use the filter for other than intended use. The use of attachments not recommended or sold by the appliance manufacturer may cause an unsafe condition and will void the warranty.
8. Do not install or store the filter where it will be exposed to extreme weather or temperatures below freezing.
9. Make sure the filter is securely installed before operating it.
10. Read and observe all the important notices on the filter.
11. If an extension cord is necessary, a cord with a proper rating should be used, such as rated amperes or watts. A cord rated for fewer amperes or watts than the filter rating may overheat. Care should be taken to arrange the cord so that it will not be tripped over or pulled.
12. The filter is intended FOR HOUSEHOLD USE ONLY.
13. SAVE THIS USER MANUAL.

6. HYGGER LIMITED MANUFACTURER'S WARRANTY

We offer the end user of this product a manufacturer warranty of 3 (2) years from the date of sale if this product was purchased from a hygger®-authorized specialist dealer

Retain receipt for any future warranty claim. Conditions apply. Products are guaranteed by hygger® Aquatic Supplies to the original purchaser against defective material and workmanship under normal use for a period up to 3 (2) years from the date of the original purchase through an Authorized Dealer. Refer to the User Manual included with your product for specific warranty details.

Products have no warranty if:

- 1.) The product has been serviced, modified or tampered with by anyone other than hygger® Aquatic Supplies.
- 2.) The product has been abused or damaged (including broken or cracked bulbs), and/ or.
- 3.) The product has been transported without proper packaging.
- 4.) The product was purchased from an Unauthorized Reseller.

WARRANTY LIABILITY DISCLAIMER

In no event will hygger® be liable for any consequential or incidental damages, including but not limited to, lost aquatic life, personal injury, property damage, equipment damage, lost profits, lost wages, lost savings, lost income, etc., arising out of the use of any hygger® products.

1.0. Terms and Conditions of Warranty.

- 1.1. hygger® warrants to the purchaser, for 3 (2) years from date of original purchase through an Authorized hygger® Reseller, free to repair or replace parts where fault is found due to defective materials or faulty workmanship and where goods do not operate in accordance with the instructions.
- 1.2. All claims for repair or replacement must be made at place of purchase.
- 1.3. Only the direct purchaser is entitled to warranty claims against us and these are not transferable without our consent.
- 1.4. The original and dated Proof of Purchase (receipt) must be supplied with all goods claims. Please also provide this Guarantee where possible.
- 1.5. Wear parts (e.g.: seals, suction devices, axes, pump wheels, light sources, pH electrodes, filter media, such as filter cartridges, as well as UVC burners), glass damage and the opening of the product, as well as structural changes or the use of non-hygger® original parts are excluded from the guarantee.
- 1.6. All goods subject to claim under Guarantee should be prepared for transportation in the original packaging or other comparable packaging which offers the same degree of protection and hygger® must incur no costs from the shipment.
- 1.7. Where claims on inspection reveal goods are in normal working order, hygger® will request reimbursement of all reasonable costs incurred.
- 1.8. Warranty claims do not exist in the case of only insignificant deviations from the agreed or customary condition or usability, e.g. insignificant deviations in colour, dimensions and/or quality or performance characteristics of the products.
- 1.9. Our warranty obligation extends only to the delivery of newly manufactured products. Unless otherwise agreed, used products are sold as seen, excluding any warranty.

For more warranty information, please see the hygger website.

7. DISPOSAL

Do not dispose this product as unsorted municipal waste. This product must not be disposed together with the domestic waste it must be disposed of at an authorized place for recycling of electrical and electronic appliances. By collecting and recycling waste, you help save natural resources, and make sure the product is disposed in an environmental friendly way.



8. PAKING LIST

- 1x Filter
- 1x Inlet tube with sponge
- 1x User manual

9. CONTACT INFORMATION

Distributed by: Hygger Aquarium, Inc.
Chino, CA 91710

E-mail: distributor@hyggeraquarium.com
Website: www.hyggeraquarium.com

Trademarks of Shenzhen Mago Trading Co., Ltd
Bantian Group Business Center, Longgang,
Shenzhen City, China
All Rights Reserved

Made in China



Have a question? We're here to help:
USA Call: +1 (909) 590-2880
Mon-Fri: 9:00 am - 5:30 pm PST Sat-Sun: Closed

EC	REP	Company: E-CrossStu GmbH Address: Mainzer Landstr.69,60329 Frankfurt am Main E-mail: e-crossstu@outlook.com Tel: +49 69332967674
----	-----	--

UK	REP	CET Product Service Ltd. Beacon House Stokenchurch Business Park, Ibstone Rd, Stokenchurch High Wycombe HP14 3FE UK info.cetservice@gmail.com +447419325266
----	-----	---



MADE IN CHINA