



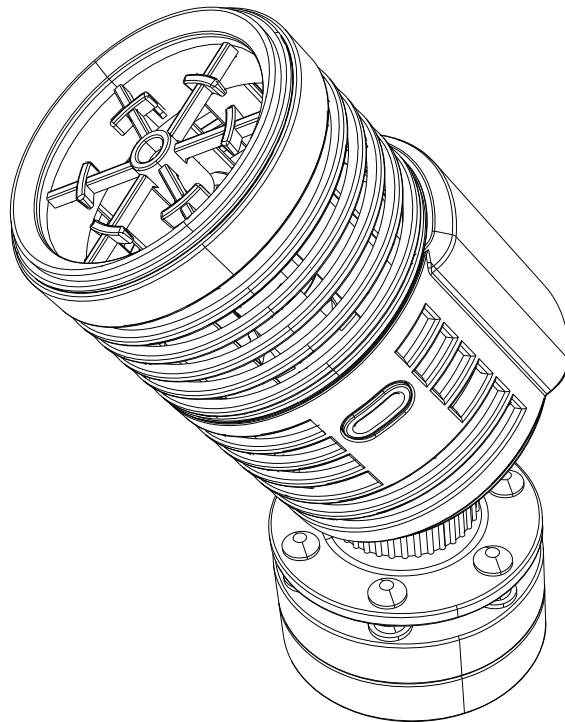
E-mail: distributor@hyggeraquarium.com

Website: www.hyggeraquarium.com



HG170 USER MANUAL

hygger Cylindrical Aquarium Wave Maker



WARNINGS:

1. To ensure performance, do not let the pump run dry.
2. Be careful when assembling the magnetic base. Move the magnetic base parallelly to the outer wall of the fish tank so that it does not break.
3. Do not immerse the plug in water or other liquids.
4. Do not allow children or inexperienced persons to operate or play the appliance alone without safety supervision.
5. This pump is unsuitable if you wear a pacemaker or have a defibrillator implanted.

1. INTRODUCTION

The wave-making pump can cause the tank's water flow to create a large current and circulation. This is beneficial for stabilizing the water quality, increasing the dissolved oxygen in the water, and promoting fish growth.

2. PRODUCT FEATURES

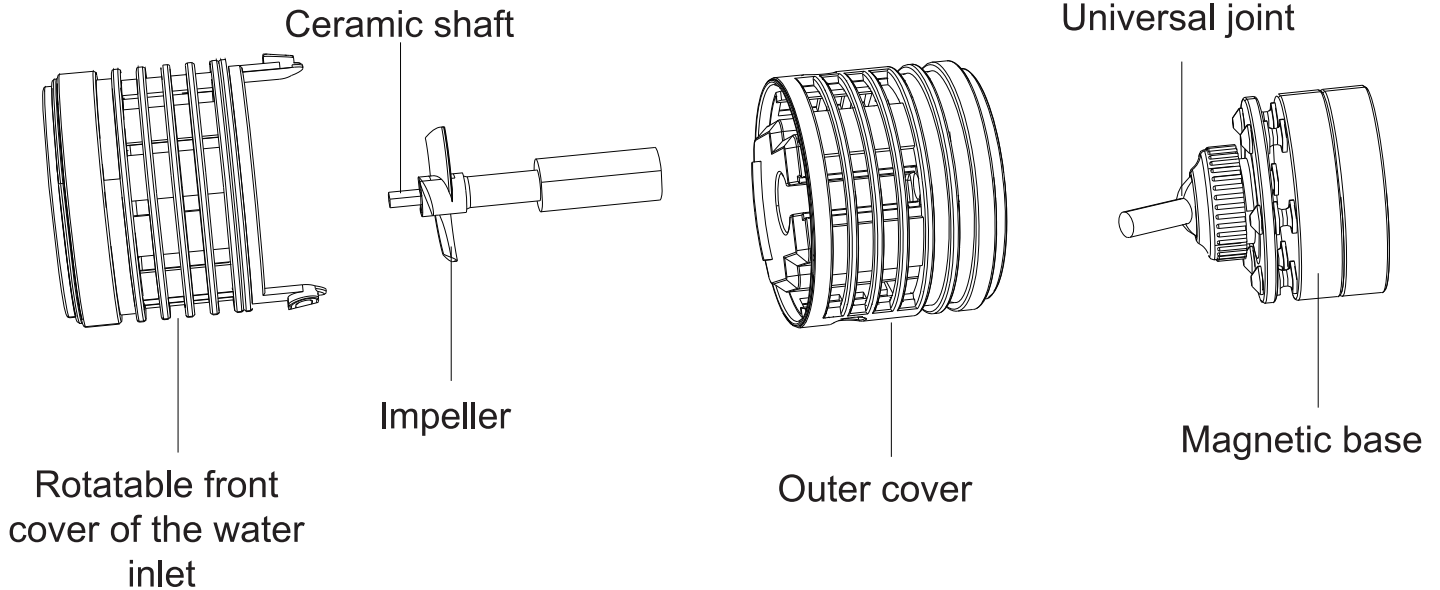
- 1.The flow direction can be set at different angles as required. (360°)
- 2.The rotatable inlet hood can adjust the flow rate as required and can also prevent fish from getting lost.
- 3.High-performance motor, low noise.
- 4.Unique anti-reverse design. Wear-resistant ceramic shaft, suitable for fresh and salt water.

3. PRODUCT SPECIFICATION

Model	Voltage	Flow rate	Product size
HG170-5W	US standard: AC110-120V/60Hz	792GPH(3000L/H)	Φ2.4*5.35" (Φ61*136MM)
HG170-7W	UK/EU/AUstandard: AC220-240V/50Hz	1056GPH(4000L/H)	Φ2.7*5.8" (Φ69*148MM)
HG170-13W	Japan standard: AC100-110V/50-60Hz	2110GPH(8000L/H)	Φ3.2*6.2" (Φ82*157MM)

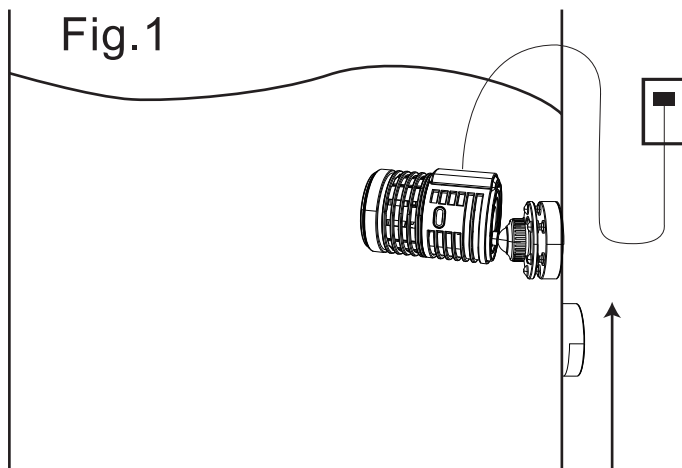
Model	Suitable tank length	Suitable tank	Suitable for fish tank wall thickness	Cord length
HG170-5W	20-32" (50-80CM)	20-60Gal (75-220L)	≤8MM	5.9FT (1.8M)
HG170-7W	32-47" (80-120CM)	50-100Gal (180-370L)	≤12MM	
HG170-13W	40-60" (100-150CM)	80-150Gal (300-560L)	≤12MM	

Installation Diagram:



① Connect the pump head section to the base. Remove the rear magnetic base from the bottom of the pump. Place the pump in the center of the inner tank wall and hold it firmly with one hand.

Shift the rear magnetic base along the outer wall to the same position and secure the pump with the other hand. (Fig.1)

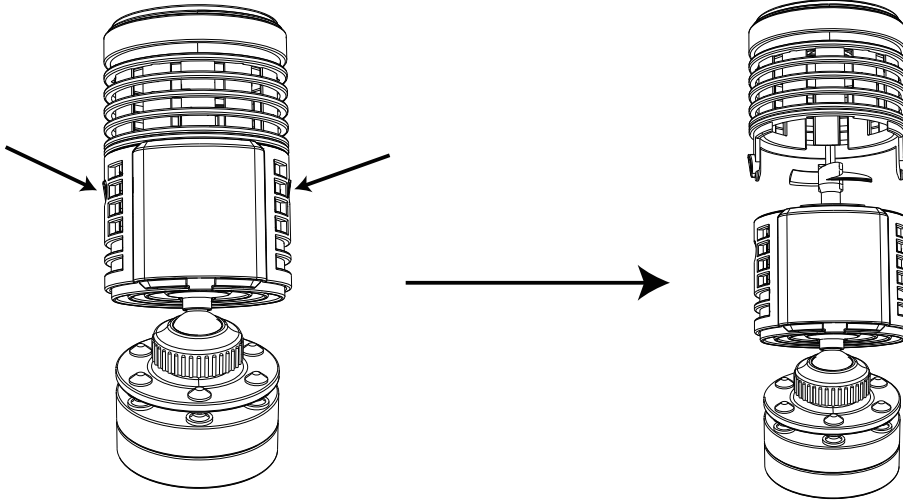


Caution: Be careful not to pinch your fingers; the magnet is very strong.

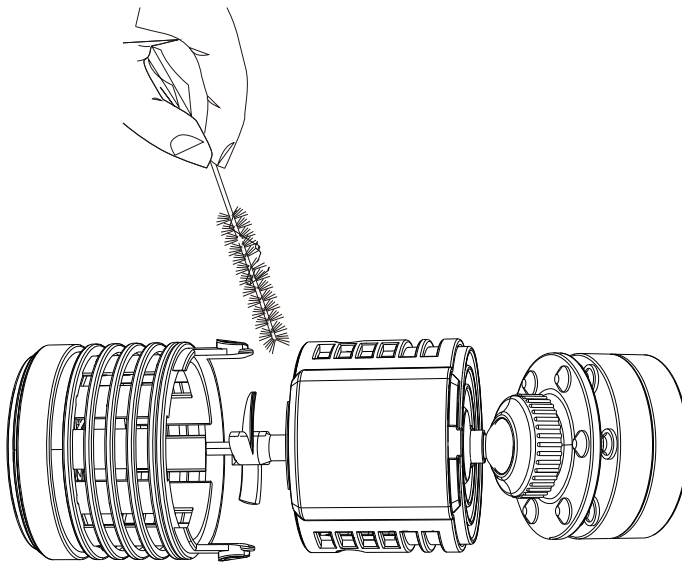
② Connect the power supply. The pump is ready for operation.

4. MAINTENANCE

1. Clean the pump regularly to ensure optimal performance.
2. Press the two clasps on the outer cover to separate the front part of the cover from the rear part.

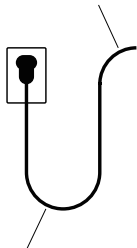


3. Clean the impeller and ceramic shaft with a soft cloth or a small brush with clean water to keep them clean.



4. The pump's power cord must be positioned below the power socket to form a drip loop so that no water can flow along the power cord into the socket.

POWER CORD



DRIP LOOP

5. DISPOSAL

Please don't dispose this product as unsorted municipal waste. Collection of such waste separately for special treatment is necessary. Not put it together with the domestic waste which should be solved as an authorized place for recycling of electrical and electronic appliances for collecting and recycling waste. Please consult with your local seller to make sure the product is disposed in an environmentally friendly way.



6. PACKING LIST

1x Wave pump

1x User manual

7. HYGGER LIMITED MANUFACTURER'S WARRANTY

We offer the end user of this product a manufacturer warranty of 3 (2) years from the date of sale if this product was purchased from a hygger® -authorised specialist dealer.

Retain receipt for any future warranty claim. Conditions apply. Products are guaranteed by hygger® Aquatic Supplies to the original purchaser against defective material and workmanship under normal use for a period up to 3 (2) years from the date of the original purchase through an Authorized Dealer. Refer to the User Manual included with your product for specific warranty details.

Products have no warranty if:

- 1.) The product has been serviced, modified or tampered with by anyone other than hygger® Aquatic Supplies.
- 2.) The product has been abused or damaged (including broken or cracked bulbs), and/ or.

3.) The product has been transported without proper packaging.

4.) The product was purchased from an Unauthorized Reseller.

WARRANTY LIABILITY DISCLAIMER

In no event will hygger® be liable for any consequential or incidental damages, including but not limited to, lost aquatic life, personal injury, property damage, equipment damage, lost profits, lost wages, lost savings, lost income, etc., arising out of the use of any hygger® products.

1.0. Terms and Conditions of Warranty.

1.1. hygger® warrants to the purchaser, for 3 (2) years from date of original purchase through an Authorized hygger® Reseller, free to repair or replace parts where fault is found due to defective materials or faulty workmanship and where goods do not operate in accordance with the instructions.

1.2. All claims for repair or replacement must be made at place of purchase.

1.3. Only the direct purchaser is entitled to warranty claims against us and these are not transferable without our consent.

1.4. The original and dated Proof of Purchase (receipt) must be supplied with all goods claims. Please also provide this Guarantee where possible.

1.5. Wear parts (e.g.: seals, suction devices, axes, pump wheels, light sources, pH electrodes, filter media, such as filter cartridges, as well as UVC burners), glass damage and the opening of the product, as well as structural changes or the use of non-hygger® original parts are excluded from the guarantee.

1.6. All goods subject to claim under Guarantee should be prepared for transportation in the original packaging or other comparable packaging which offers the same degree of protection and hygger® must incur no costs from the shipment.

1.7. Where claims on inspection reveal goods are in normal working order, hygger® will request reimbursement of all reasonable costs incurred.

1.8. Warranty claims do not exist in the case of only insignificant deviations from the agreed or customary condition or usability, e.g. insignificant deviations in colour, dimensions and/or quality or performance characteristics of the products.

1.9. Our warranty obligation extends only to the delivery of newly manufactured products. Unless otherwise agreed, used products are sold as seen, excluding any warranty.

For more warranty information, please see the hygger website.

8. CONTACT INFORMATION

Distributed by: Hygger Aquarium, Inc.
13941 Magnolia Ave, Chino, CA 91710

E-mail: distributor@hyggeraquarium.com
Website: www.hyggeraquarium.com

Trademarks of Shenzhen Mago Trading Co., Ltd
Bantian Group Business Center, Longgang,
Shenzhen City, China
All Rights Reserved

Made in China



Have a question? We're here to help:

USA Call: +1 (909) 590-2880

Mon-Fri: 9:00 am - 5:30 pm PST Sat-Sun: Closed

EC	REP	E-CrossStu GmbH Mainzer Landstr.69, Frankfurt am Main, Baden-Württemberg, 60329, Germany E-CrossStu@web.de +49 69332967674
----	-----	--

UK	REP	YH Consulting Limited C/O YH Consulting Limited Office 147, Centurion House, London Road, Staines-upon-Thames, Surrey, TW18 4AX, London H2YHUK@gmail.com +44 07514-677868
----	-----	---



MADE IN CHINA