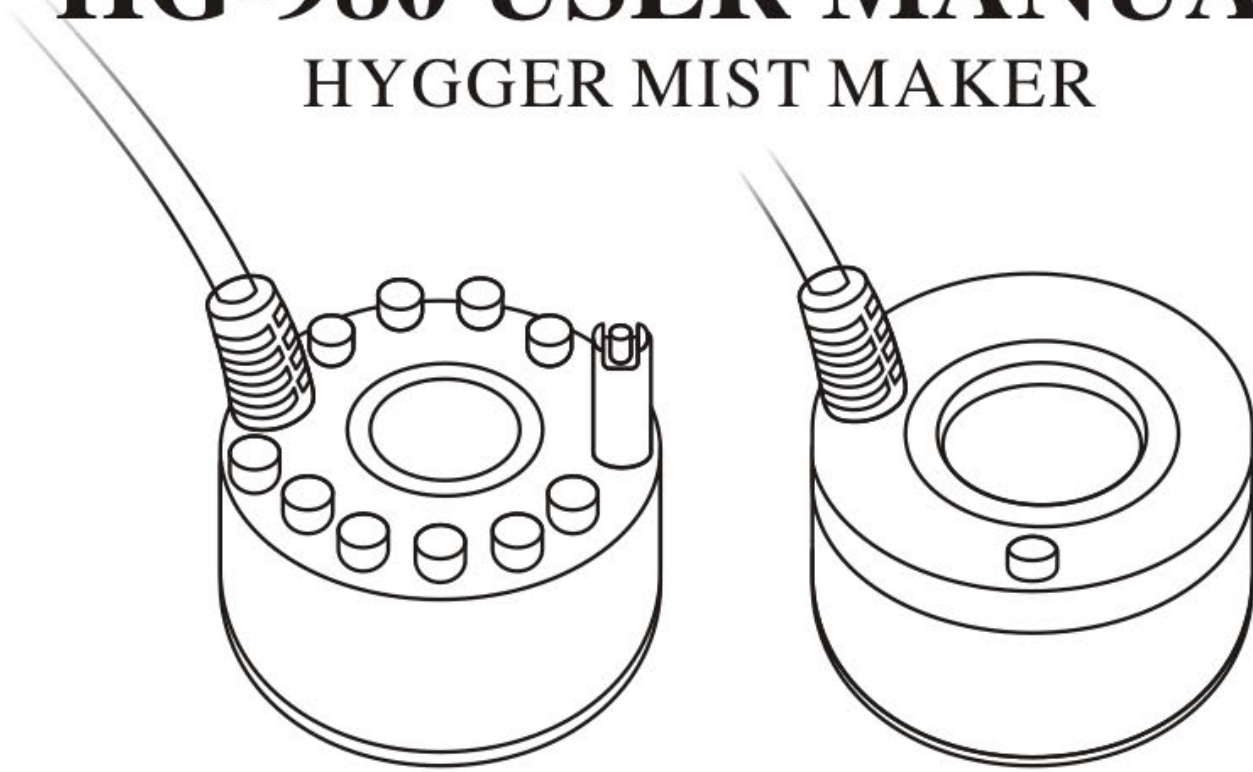




# HG-980 USER MANUAL

## HYGGER MIST MAKER



Hygger's mist maker integrates a mist maker with floral decorations, indoor fountains, terrariums, or ponds. You will be surprised how many uses it has. Following the principle of inhalators, the ultrasonic mist maker generates water smoke. An optimum room climate can thus be created. It is designed with IC&full sealing, confirmed for a long-time during use in the water.

## 1.PRODUCT FEATURES

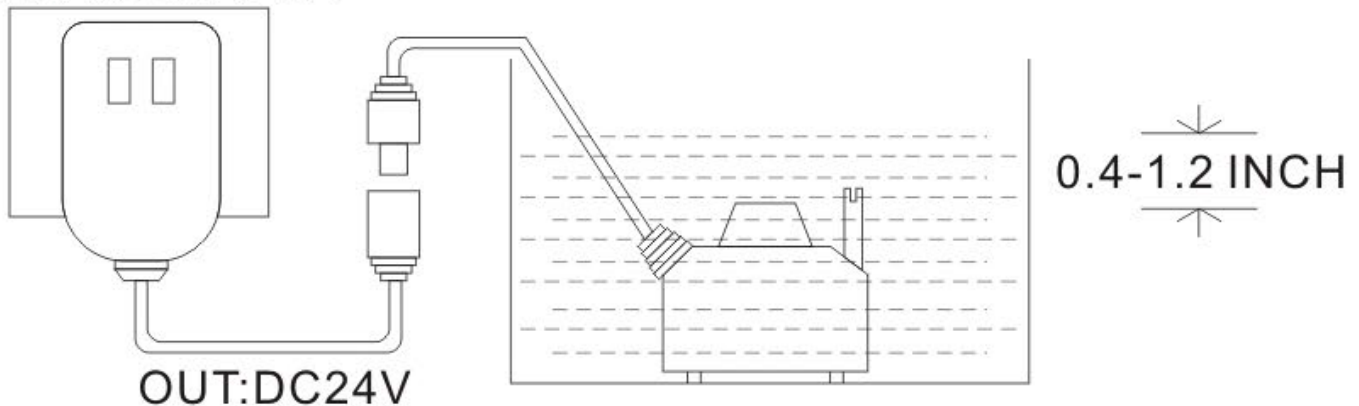
1. WATERPROOF - The ultrasonic fog is waterproof. Ideal for indoor fountains, water features, and office use.
2. ENVIRONMENTAL PROTECTION - Our plant humidity fog can provide a large amount of mist. No heat or chemicals used.
3. EASY TO USE - Put this water mister in the water, and then the mist will appear.
4. SAFE TO USE - The voltage is 24V, it's safe to use.

## 2.PARAMETER

Model	Working Voltage	Rating Current
HG-980	24V	1A
Ceramic Size	Limited Temperature	Life of Ceramic Membrane
0.79 INCH	32-104°F	3000 Hour

## 3.INSTRUCTION:

IN:AC100-240V



(1) Place the mist maker in the water part of the terrarium, fish tank, fountain, or in the waterfall. Make sure the water fully covers the mist maker sensor.

(2) Plug the adapter into the power.

#### **4. ATTENTION:**

1. The mist maker diffuses about 200-400ml of water per hour. If the sensor comes out of the water, the mist maker will turn off the fog generator automatically.
2. The mist maker works best when the mist maker sensor is below 0.4-1.2 inch to the surface of the water.
3. Ensure the water is of high quality, use clean tap water (water quality deterioration may influence the lifetime).
4. Do not put your hands above the center mist while it is working, it may cause discomfort.
5. For the good of mist maker performance and service, please change clean water every week, and use a piece of dry paper towel to wipe the mist maker sensor and head clean. Do not use chemical liquid cleaners.
6. Do not scratch the mist maker sensor or head with sharp tools.
7. For your safety concerns, please unplug when you want to stop the mist maker for a long time. (Please ensure that the daily running time is less than 8 hours, otherwise, the life of the atomizing slice will be shorted.)
8. The mist maker is intended for indoor use only.

## 5. TROUBLESHOOTING:

The mist maker does not diffuse mist.

1. The sensor needs to be submerged in the water for about 0.4-1.2 inches.
2. Make the mist maker lay flat as possible.
3. Make sure the adapter is connected.



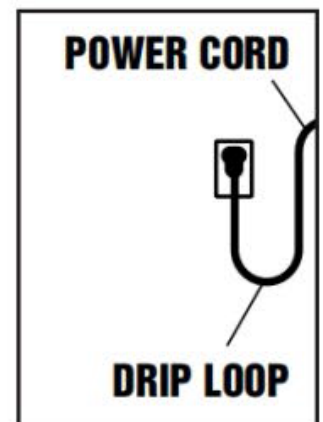
**6. CAUTION:** to guard against injury, basic safety precautions should be observed including the following:

**DANGER-**To avoid possible electric shock, special care should be taken since water is employed in the use of the mist maker. For each of the following situations, do not attempt to repair yourself; return the mist maker to an authorized service facility for service or discard the mist maker.

- a. Before removing the mist maker out of the water, unplug the mist maker first.
- b. Carefully examine the mist maker after installation. It should not be plugged in if there is water on parts not intended to be wet.
- c. Do not operate the mist maker if it has a damaged cord or plug, if it is malfunctioning or if it is dropped or damaged in any manner. The power cord of this mist maker cannot be replaced, if the cord is damaged, the mist maker should be discarded.
- d. To avoid the possibility of the mist maker plug getting wet, position the aquarium stand and tank to one side of a

wall-mounted outlet to prevent water from dripping onto the outlet or plug. A “drip loop”, shown in the figure below, should be arranged by the user for each cord connecting the mist maker to the outlet. The “drip loop” is the part of the cord below the level of the outlet, or the connector. If an extension cord is used, to prevent water from traveling along the cord and coming in contact with the outlet. If the plug or outlet does get wet, DO NOT unplug the cord. Disconnect the fuse to the circuit breaker that supplies power to the mist maker. Then unplug and examine for the presence of water in the outlet.

2. Close supervision is necessary when the mist maker is used near children.
3. Always unplug the mist maker from the outlet when not in use, before putting on or taking off parts, and before maintenance or placing hands in the water. Never yank the cord to pull the plug from the outlet. Grasp the plug and pull to disconnect.
4. Do not use the mist maker for other than intended use. The use of attachments not recommended or sold by the appliance manufacturer may cause an unsafe condition.
5. Do not install or store the mist maker where it will be exposed to the weather or temperatures below freezing. This mist maker is suitable for use in water temperatures less than 104°F.



6. Make sure the mist maker is securely installed before operating it.
7. Read and observe all the important notices on the mist maker.
8. If an extension cord is necessary, a cord with a proper rating should be used. A cord rated for fewer amperes or watts than the appliance rating may overheat. Care should be taken to arrange the cord so that it will not be tripped over or pulled.
9. SAVE THIS USER MANUAL.

## **7.WARRANTY:**

1. 6-months free warranty.
2. 1-month free return.
3. Free replacement for 3 months.

## **8.DISPOSAL**

Do not dispose of this product as unsorted municipal waste. The collection of such waste separately for special treatment is necessary. This product must not be disposed of together with domestic waste. This product must be disposed at an authorized place for the recycling of electrical and electronic appliances. By collecting and recycling waste, you help save natural resources, and make sure the product is disposed of in an environmentally friendly way.



## **9. CONTACT INFORMATION:**

Website: [www.hygger-online.com](http://www.hygger-online.com)

E-mail: [Mago@hygger-online.com](mailto:Mago@hygger-online.com)

Facebook: <https://www.facebook.com/shenzhenmago>

Or [@shenzhenmago](#)

Thank you for choosing Hygger, making aquarium keeping easier one product at a time. If you have any problems or suggestions for the mist maker, please contact us by email before leaving feedback or opening a case, it will be the fastest way to solve your problem. If you are satisfied with the mist maker, please leave positive feedback for our product, in order to let more customers enjoy it.

Thanks again!