



E-mail: distributor@hyggeraquarium.com

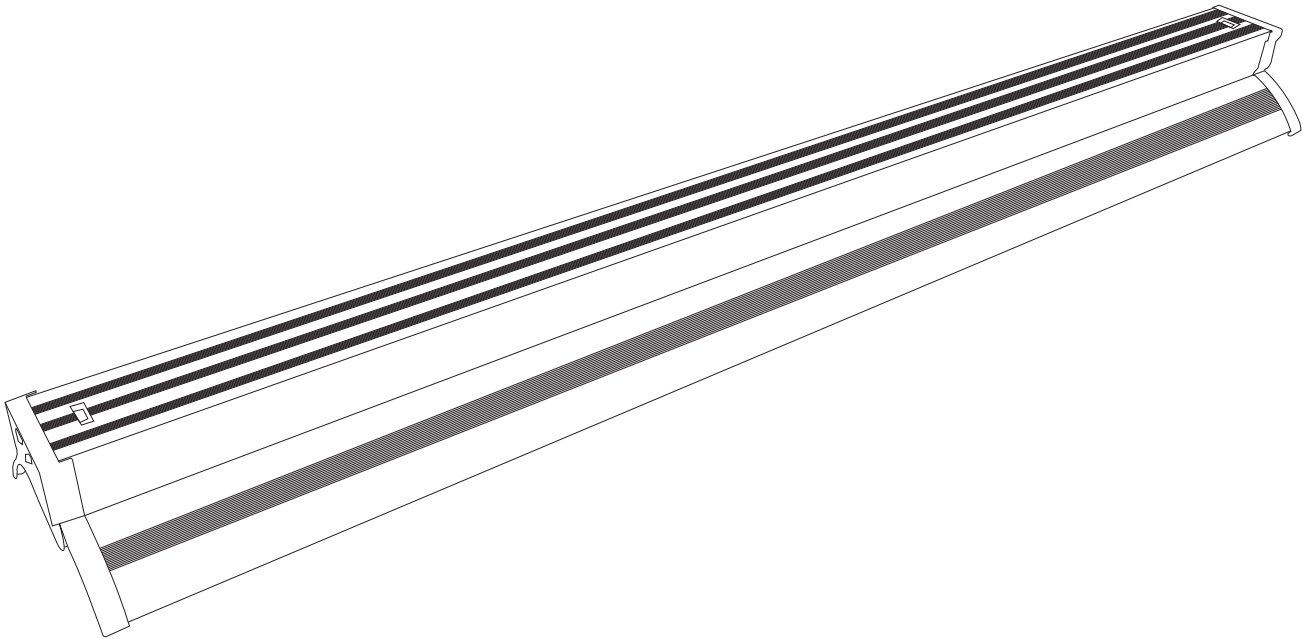
Website: www.hyggeraquarium.com



HZ012 USER MANUAL

Hygger zoo HO UVB LED

Reptile Light Fixture



Hygger zoo HO UVB LED Reptile Light Fixture is specially designed for reptiles, simulating the irradiation of UVB and UVA from natural sunlight and providing UVB and UVA light for lizards and turtles indoors. To promote the synthesis of Vitamin D3 in reptile pets, convert the calcium obtained from food, improve the metabolism in the body, and maintain the normal physiological activities of reptile pets.

1.PRODUCT SPECIFICATION

Input voltage: AC120V 60Hz

Power: 10W

Light source: LED

Working temperature: - 20°C to 80°C

Service life: 12000 hours

Spectrum: UVB+ UVA+ Visible light

Color temperature: White 5000K

12 Inches of UVB radiation: 85 μ W/cm²

Suitable for pets: Bearded dragons, chameleons, turtles, snakes, frogs, salamanders, etc.

2.PRODUCT FEATURES

1) Highly efficient and energy-saving: With efficient and energy-saving LED bulbs as illuminants, their luminous efficiency is 2-3 times of traditional compact fluorescent lamps.

2) Longer service life: LED bulbs have a longer service life. In addition, heat dissipation design of aluminum cover significantly reduce the working temperature of the light board, and prolong the light decay speed of LED bulbs, ensuring longer service life.

3) Scientific LED bulb configuration: The content of UVA and UVB in the bulbs is similar to the ratio of natural sunlight. The warm white 5000K color temperature used in Full spectrum lamp beads is softer and more comfortable than the 6500K color temperature of fluorescent lamps.

4) Maximum electrical safety: The LED bulbs operate at low voltage and consume less power. The circuit board is not easily damaged, ensuring maximum stability and safety during operation.

3.INSTALLATION INSTRUCTIONS

Part 1 Notes before use

- 1) Ensure the lamp and its holder are operated in a power-off state.
- 2) Check whether the lamp and tube are in good condition.

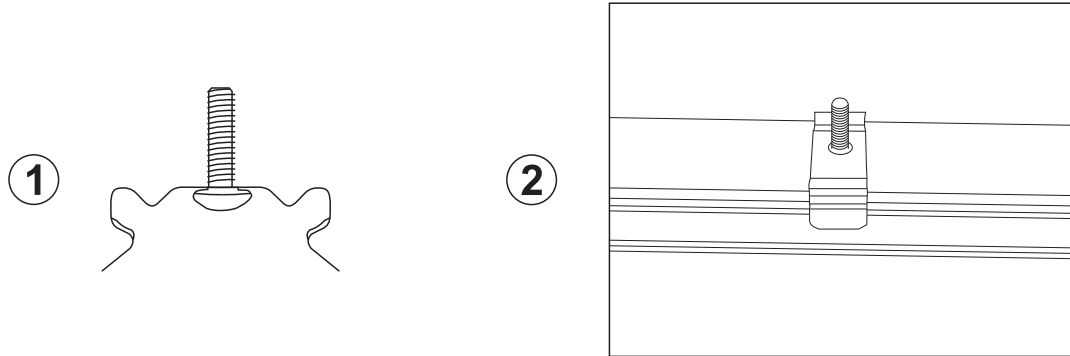
Part2 Installations procedures

- 1) Connect the "Kettle plug" of the power cord to the "Kettle cord" at either end of the lamp.
- 2) Before switching on the power supply, ensure that the switch is in the "off state", meaning the end of the switch with a raised bar is tilted up.

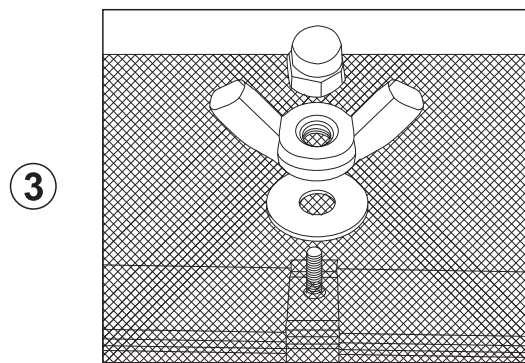
3) Place the lamp holder on the top of the reptile terrarium, which is recommended to be about 12-18 inches (30-45cm) from the bottom.

Part 3 Installation instructions for under the mesh

1) Insert the long screw upwards into the buckle and embed the buckle at both ends into the top cover of the lamp.



2) Place the lamp in an appropriate position on the mesh cover of the reptile terrarium, and install the gasket, butterfly nut, and nut cover on the bolt in turn.



4. INSTRUCTION

1) Duration of use: 8-12 hours per day is recommended, and the time can be adjusted as needed.

2) Regular replacement: Check the fluorescent light regularly for damage or spectral degradation to ensure your pets receive adequate UVB exposure. The UVB radiation level of this product decreases by about 18% after one year of use (3600 hours of operation). Therefore, check when you need to replace the additional light source according to the additional light requirements of the reptile you keep.

5. ATTENTION

1) Avoid moisture: This product is not waterproof, do not use it in humid environments, and avoid the lamp contact with water.

2) As with the COB light source in the market, this bulb may dissipate heat during operation, it is normal for the temperature of the aluminum cover to reach about 122°F / 50°C.

3) Keep away from children: Please install the lamp where children can not reach.

6. PACKING LIST

1x UVB LED Reptile Light Fixture
1x User Manual

7. DISPOSAL

Do not dispose of this product as unsorted municipal waste. Collection of such waste separately for special treatment is necessary. This product must not be disposed of together with the domestic waste. This product has to be disposed of in an authorized place for recycling electrical and electronic appliances. By collecting and recycling waste, you help save natural resources, and make sure the product is disposed of in an environmentally friendly way.

8. EIGHT-MONTH LIMITED WARRANTY

For this product, Hygger zoo offers eight-month guarantee for free. If you discover a defect, please contact Hygger zoo, who will, at its option, repair or replace the product at no charge, provided that you return it during the warranty period.

A copy of the bill of sale is required as proof of the original purchase date if the product needs repairs within the warranty period. Hygger zoo Eight-month Limited Warranty does not cover damage caused by the following:

- 1) Artificial damage
- 2) Improper use or maintenance
- 3) Modifications or repairs without the written permission of Hygger zoo

If you have any other questions regarding warranty service or product use, please contact us at service@hyggerzoo.com upon presentation of proof of purchase and product information, and we will solve the problem for you as quickly as possible.

We reserve the right of final interpretation regarding the warranty coverage of this product.

9. CONTACT INFORMATION

Distributed by: Hygger Aquarium, Inc.
13941 Magnolia Ave, Chino, CA 91710
E-mail: distributor@hyggeraquarium.com

Website: www.hyggeraquarium.com

Trademarks of Shenzhen Mago Trading Co., Ltd

Bantian Group Business Center, Longgang, Shenzhen City, China

All Rights Reserved

Made in China

